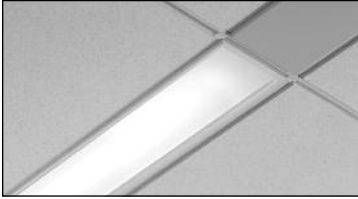


PLATEAU™

Armstrong® TechZone™ compatible
USG Logix compatible

Can be modified for Hunter Douglas Ceilings & Walls exclusively from CertainTeed, Inc. grids - please consult factory.



Fluorescent
One or Two Lamp 28W/35W T5
One or Two Lamp 54W T5HO
One Lamp 80W T5HO
One or Two Lamp 32W/40W T8

**Recessed
Lensed**

**6" x 4'
6" x 5'**

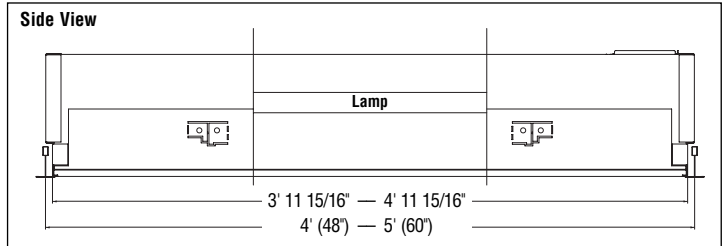
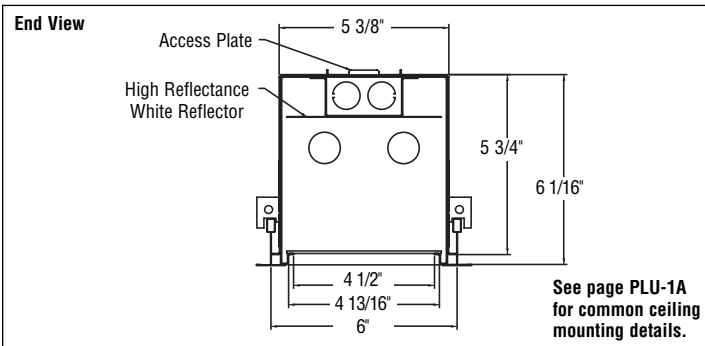
online
Find it Fast **376**

Applications: The PL luminaire is a narrow aperture recessed direct lensed luminaire for individual or continuous row mounting.

Compatible with standard 15/16" Lay-in, Flush, 9/16" Slot Grid, Flush and 9/16" Lay-in, Tegular tees placed 6" o.c.

Type: _____ Quantity: _____ Project: _____

PLU	OLP					
FIXTURE/CEILING TYPE	OPTIC	LENGTH	LAMPING	BALLAST/VOLTAGE	OPTIONS	
PLU PLATEAU, 6" Recessed 15/16" Lay-In, Flush 9/16" Slot-Grid, Flush 9/16" Lay-In, Tegular	OLP Opal Lens	64 6" x 4"	1285 (1) 28W T5 1545 (1) 54W T5 HO 2285 (2) 28W T5 2545 (2) 54W T5 HO 1328 (1) 32W T8 2328 (2) 32W T8	U Universal 120/277V 347V DA_* Dimming, Analog (0-10V) DD_* Dimming, DALI DE_* Dimming, Lutron ECO-10™ DH_* Dimming, Lutron HiLume® DSC_* Dimming, Lutron EcoSystem™, Control Fixture DSN_* Dimming, Lutron EcoSystem™, Non-control Fixture STD*_* Dimming, Step	WF Whip Flex 3/8" x 6' 14/3 AWG WN_* Whip Flex 3/8" x 6' 14/3 AWG (NYC) SS Separate Switching F Fusing EM1_* Standby Battery Pack, 1 lamp	
		65 6" x 5"	1355 (1) 35W T5 1805 (1) 80W T5 HO 2355 (2) 35W T5 1408 (1) 40W T8 2408 (2) 40W T8			
<p>* Specify "1" for 120V or "2" for 277V. Some lamp types may not be available. EM not available for 80W T5 HO lamp. EM battery pack for 35W T5 lamp only suitable for dry location. Analog dimming ballast for 80W T5 HO lamp not available for 120V or 347V. DALI dimming ballast not available for 80W T5 HO lamp. Lutron ECO-10 dimming ballast not available for 35W T5, 80W T5 HO or 40W T8 lamps. Lutron HiLume dimming ballast not available for 28W T5, 35W T5 or 80W T5 HO lamps. Lutron EcoSystem not available for 80W T5 HO or 40W T8 lamps. Step Dimming not available for 347V. Also not available for (1) 28W T5, (1) or (2) 54W T5 HO, (1) or (2) 35W T5, (1) 80W T5 HO, (1) or (2) 40W T8 for any voltage.</p>						



UL LISTED
 Suitable for damp locations
 NYC Approved
 IBEW Union Made

Lead Time? Double-click on -
<http://www.zumtobel.us/PDB?lang=EN&id=12419&iso2=US>
A = ZOOM! Quick Ship - ships in 2 weeks
B = ships in 4 weeks **C =** ships in 8 weeks

- Housing** - 20 gauge cold-rolled steel. Fixtures have white powder coat paint finish. Post painted.
- Sockets** - Bi-pin. Twist lock lamp installation.
- Lamping** - Choices are one or two 28W (4') T5, 35W (5') T5, 54W (4') T5HO, 32W (4') T8, 40W (5') T8 or one 80W (5') T5HO fluorescent lamps. Supplied by others. Access to lamps is from below the fixture after the removal of the lens.

- Reflector** - High-reflectance white finish.
- Optic** - Shift and tilt Opal Acrylic Lens (OLP).
- Ballast** - Universal voltage electronic 120/277V. Ballast is mounted in housing of luminaire. Ballast access from below the fixture.
- Dimming** - In control fixtures with Lutron EcoSystem dimming, control wires are brought to an interface. Consult factory for location of control wire feed. Consult factory for specific dimming requirements other than those listed above.

- Mounting** - Fixtures for mounting in lay-in ceilings. Depth of housing is 6 1/16". Electrical access plate in housing top. Fixtures can be mounted in continuous runs. Standard installation via bend out tabs that rest on ceiling tees alongside fixture.
- Weight** - 20 lbs. (4' fixture); 23 lbs. (5' fixture).

OTHER RECESSED TECHZONE/LOGIX COMPATIBLE LUMINAIRES	FIF #
Recessed Bivergence® (RB)	288
Recessed Lensed (RL)	307
Recessed Louver with Light Chamber (RLLC)	292

ECO-10 and EcoSystem are trademarks of Lutron Electronics Co., Inc. HiLume is a registered trademark of Lutron Electronics Co., Inc.

Zumtobel Lighting Inc. ©2008
 3300 Route 9W
 Highland, NY 12528-2630

TEL (845) 691-6262
 (800) 932-0633
 FAX (845) 691-6289

In a continuing effort to offer the best product possible we reserve the right to change, without notice, specifications or materials. Technical specification sheets that appear on www.zumtobel.us are the most recent version and supersede all other versions that exist in any other printed or electronic form.



Photometric Data

PL-OLP-65-1408-U (1) 40W T8

6" x 4" RECESSED LENSED, OPAL ACRYLIC LENS

LTL 13241

Total Luminaire Efficiency 63%

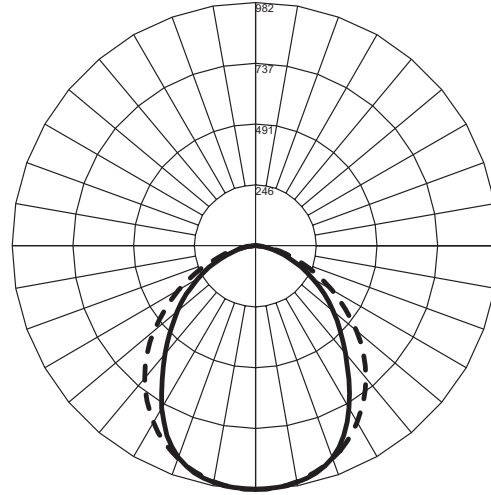
0% Uplight 100% Downlight

Spacing Criteria

Lateral Plane 0° 90°
1.26 1.16

TOTAL LAMP LUMENS = 3725

INPUT WATTS = 35



Maximum Candela = 982 Located At Horizontal Angle = 0, Vertical Angle = 0
DASHED - Vertical Plane Through Horizontal Angles (0 - 180) (Through Max. Cd.)
SOLID - Vertical Plane Through Horizontal Angles (90 - 270)

LUMINANCE DATA (cd/sq.m)

Angle In Degrees	Average 0-Deg	Average 45-Deg	Average 90-Deg
45	4669	4132	3672
55	4144	3483	3167
65	3451	2844	2604
75	2642	2167	1961
85	1839	1410	1165

ZONAL LUMEN SUMMARY

Zone	Lumens	%Lamp	%Fixt
0-30	757.52	20.3	32.2
0-40	1207.63	32.4	51.3
0-60	1977.6	53.1	84
0-90	2353.36	63.2	100
90-120	0	0	0
90-130	0	0	0
90-150	0	0	0
90-180	0	0	0
0-180	2353.36	63.2	100

COEFFICIENTS OF UTILIZATION - ZONAL CAVITY METHOD

Effective Floor Cavity Reflectance 0.20

RC	80				70				50				30				10				0
	70	50	30	10	70	50	30	10	50	30	10	50	30	10	50	30	10	0			
0	75	75	75	75	73	73	73	73	70	70	70	67	67	67	64	64	64	63			
1	69	67	64	62	68	65	63	61	62	61	59	60	59	57	58	57	55	54			
2	63	59	55	51	62	57	54	51	55	52	50	53	51	48	51	49	47	46			
3	58	52	47	43	57	51	47	43	49	45	42	47	44	41	46	43	41	39			
4	54	46	41	37	52	46	41	37	44	40	36	43	39	36	41	38	35	34			
5	49	42	36	32	48	41	36	32	40	35	32	38	35	31	37	34	31	30			
6	46	38	32	28	45	37	32	28	36	31	28	35	31	28	34	30	28	26			
7	43	34	29	25	42	34	29	25	33	28	25	32	28	25	31	28	25	23			
8	40	31	26	23	39	31	26	23	30	26	23	29	25	22	29	25	22	21			
9	37	29	24	21	36	29	24	21	28	23	20	27	23	20	27	23	20	19			
10	35	27	22	19	34	26	22	19	26	22	19	25	21	19	25	21	18	17			

Mounting with common ceiling types

