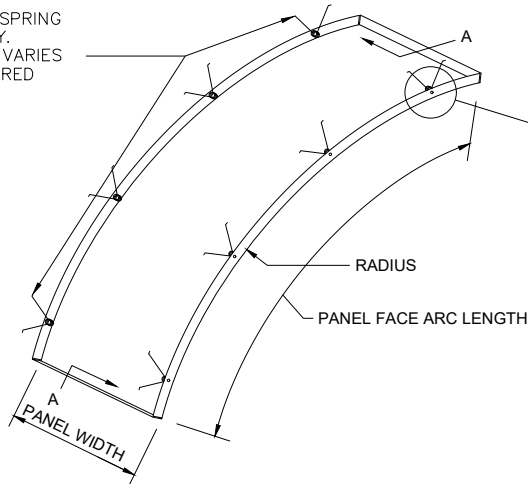
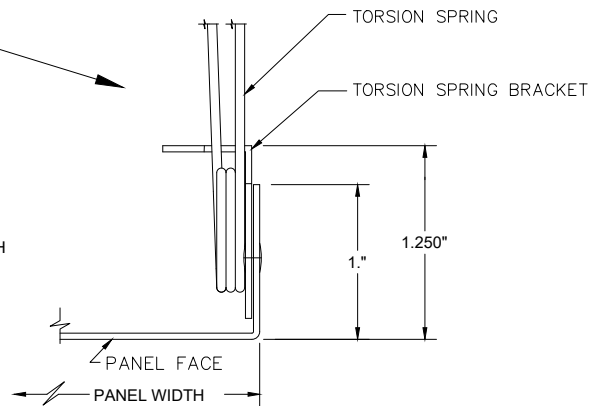


CONCAVE SHOWN – CONVEX SIMILAR

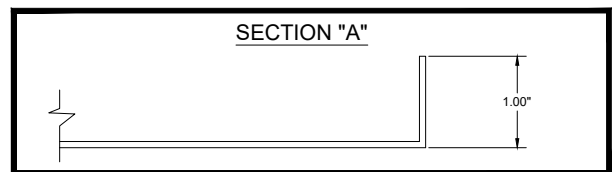
TORSION SPRING ASSEMBLY. SPACING VARIES AS REQUIRED



ISOMETRIC FORMED PANEL



SIDE LEG DETAIL – TORSION SPRING ASSEMBLY



ARCHITECTURAL

**CertainTeed**  
SAINT-GOBAIN

5015 Oakbrook Parkway, Suite 100  
Norcross, GA 30093  
O 800 366 4327  
F 770 806 0214  
www.certainteed.com/architectural

These drawings show typical conditions for installing the CertainTeed product shown. They should not be construed as a substitute for an architectural or engineering design and do not reflect the unique requirements of local codes, laws, statutes or regulations that may be applicable for a specific installation. CertainTeed assumes no liability for the accuracy or completeness of the drawings for a specific installation or the fitness of the drawings for a particular purpose. The user is advised to consult with local licensed design professionals in order to assure compliance with all legal requirements. CertainTeed is not licensed to provide professional engineering or architectural services.

**SPECIFICATIONS**

(unless noted otherwise)

MATERIAL: .032" | .040" | .050" | .063"

ALUMINUM

FINISH: PAINT | POWDER COAT

PERFORATION: CONTACT CERTAINTEED

**TYPICAL CURVED TORSION SPRING PANEL**

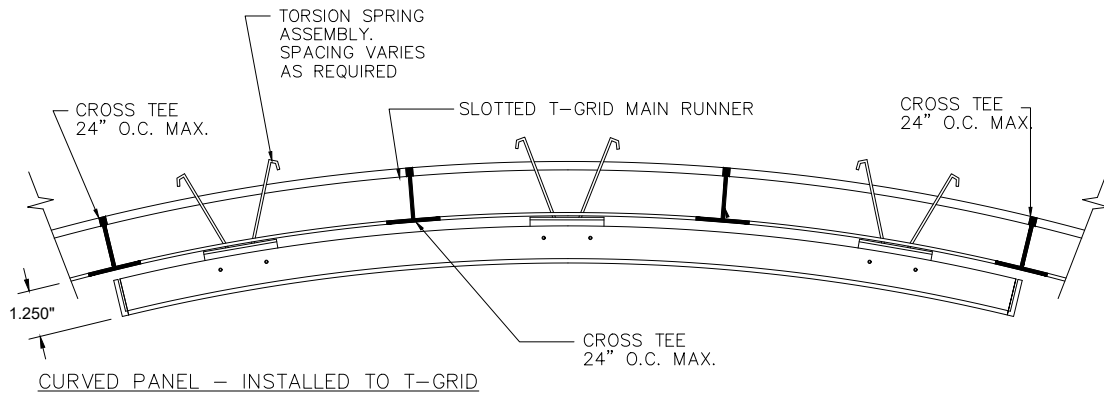
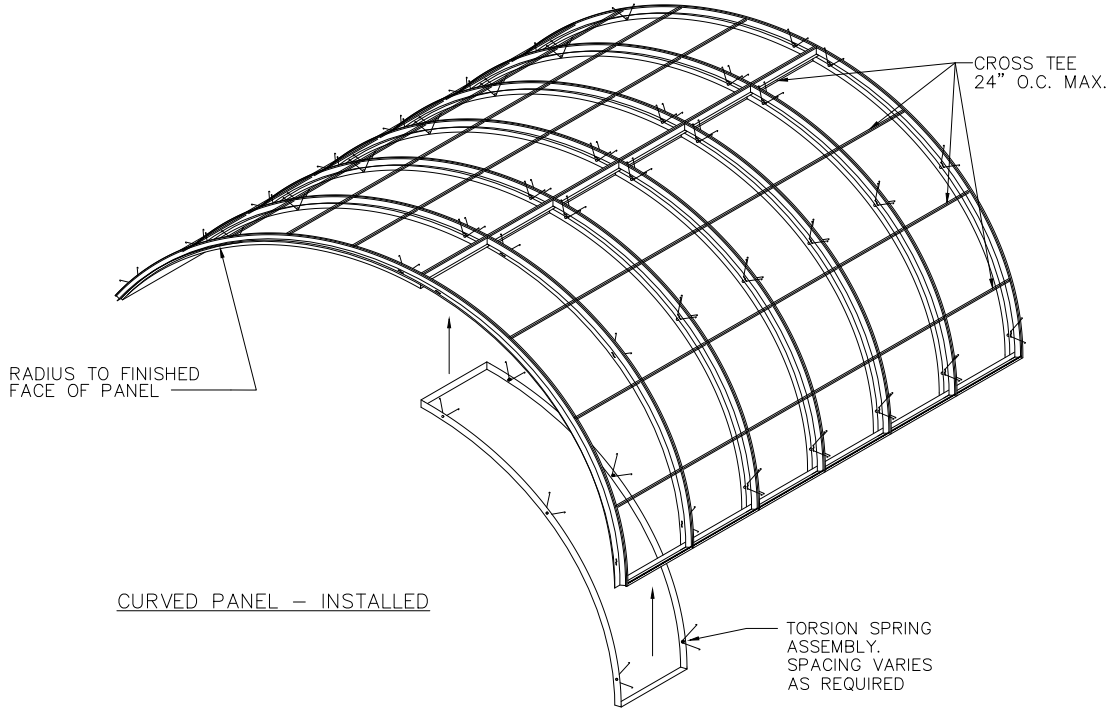
PROJECT: TORSION SPRING CURVED  
DRAWING NUMBER: TORSION-SPRING-CURVED-1

SCALE: NOT TO SCALE

DRAWN BY: CTA ENGINEERING

DATE: 6/1/21

CONCAVE SHOWN – CONVEX SIMILAR



ARCHITECTURAL

**CertainTeed**  
SAINT-GOBAIN

5015 Oakbrook Parkway, Suite 100  
Norcross, GA 30093  
O 800 366 4327  
F 770 806 0214  
www.certainteed.com/architectural

*These drawings show typical conditions for installing the CertainTeed product shown. They should not be construed as a substitute for an architectural or engineering design and do not reflect the unique requirements of local codes, laws, statutes or regulations that may be applicable for a specific installation. CertainTeed assumes no liability for the accuracy or completeness of the drawings for a specific installation or the fitness of the drawings for a particular purpose. The user is advised to consult with local licensed design professionals in order to assure compliance with all legal requirements. CertainTeed is not licensed to provide professional engineering or architectural services.*

**SPECIFICATIONS**

(unless noted otherwise)

MATERIAL: .032" | .040" | .050" | .063"

ALUMINUM

FINISH: PAINT | POWDER COAT

PERFORATION: CONTACT CERTAINTEED

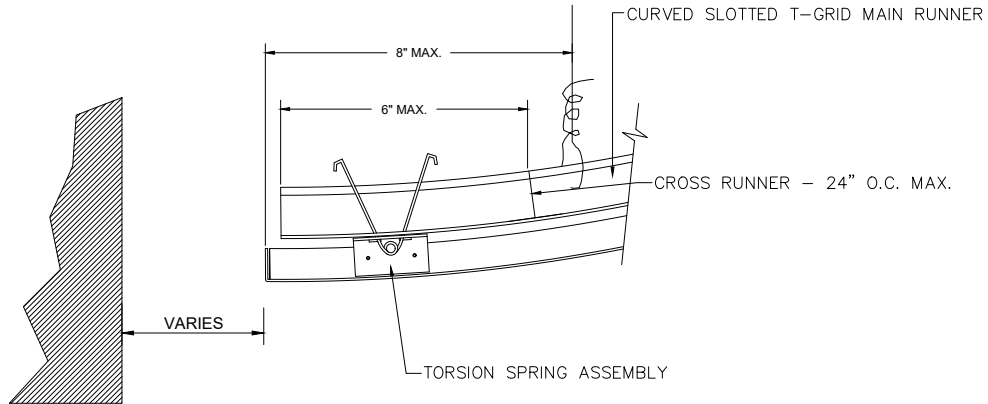
**TYPICAL SUSPENSION**

PROJECT: TORSION SPRING CURVED  
DRAWING NUMBER: TORSION-SPRING-CURVED-2

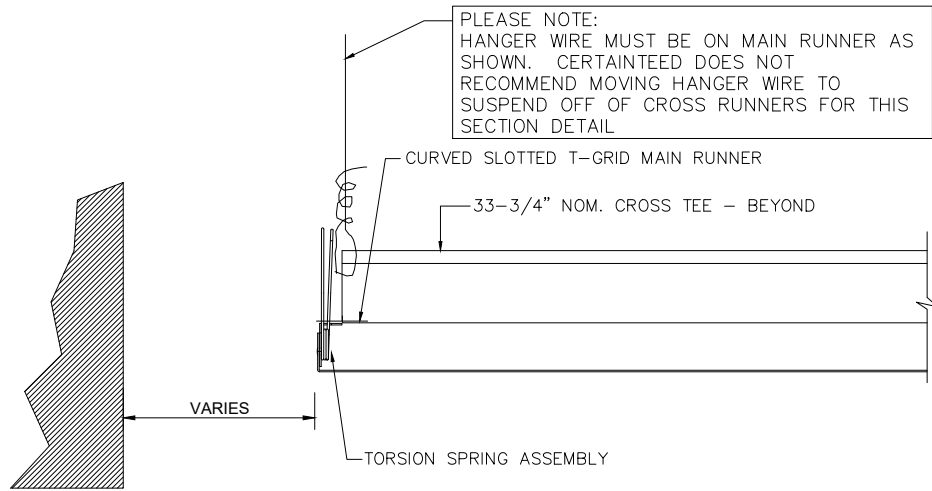
SCALE: NOT TO SCALE

DRAWN BY: CTA ENGINEERING

DATE: 6/1/21



SECTION @ CURVED PANEL END @ WALL / BULKHEAD



SECTION @ CURVED PANEL SIDE @ WALL / BULKHEAD

ARCHITECTURAL

**CertainTeed**  
SAINT-GOBAIN

5015 Oakbrook Parkway, Suite 100  
Norcross, GA 30093  
O 800 366 4327  
F 770 806 0214  
www.certainteed.com/architectural

*These drawings show typical conditions for installing the CertainTeed product shown. They should not be construed as a substitute for an architectural or engineering design and do not reflect the unique requirements of local codes, laws, statutes or regulations that may be applicable for a specific installation. CertainTeed assumes no liability for the accuracy or completeness of the drawings for a specific installation or the fitness of the drawings for a particular purpose. The user is advised to consult with local licensed design professionals in order to assure compliance with all legal requirements. CertainTeed is not licensed to provide professional engineering or architectural services.*

### SPECIFICATIONS

(unless noted otherwise)

MATERIAL: .032" | .040" | .050" | .063"

ALUMINUM

FINISH: PAINT | POWDER COAT

PERFORATION: CONTACT CERTAINTEED

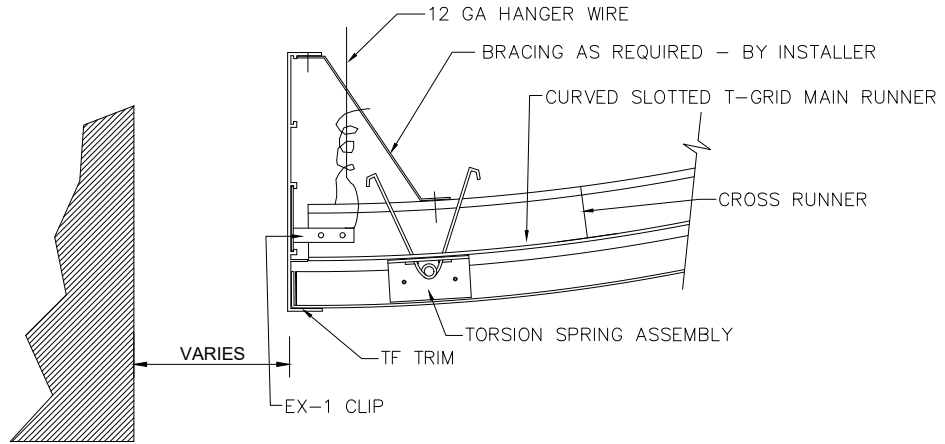
### PERIMETER CONDITIONS

PROJECT: TORSION SPRING CURVED  
DRAWING NUMBER: TORSION-SPRING-CURVED-3

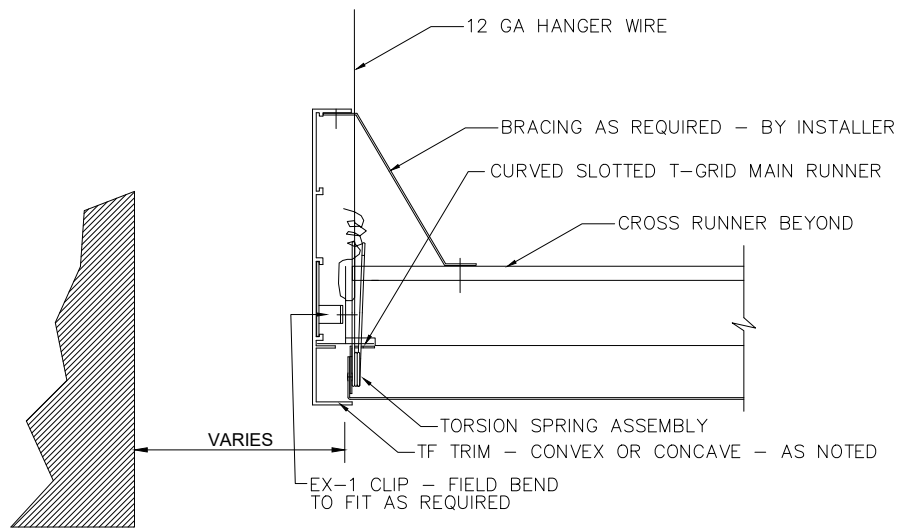
SCALE: NOT TO SCALE

DRAWN BY: CTA ENGINEERING

DATE: 6/1/21



SECTION @ CURVED PANEL END WITH EDGELINE TF05 TRIM @ WALL / BULKHEAD



SECTION @ CURVED PANEL SIDE WITH EDGELINE TF05 TRIM @ WALL / BULKHEAD

ARCHITECTURAL

**CertainTeed**  
SAINT-GOBAIN

5015 Oakbrook Parkway, Suite 100  
Norcross, GA 30093  
O 800 366 4327  
F 770 806 0214  
www.certainteed.com/architectural

*These drawings show typical conditions for installing the CertainTeed product shown. They should not be construed as a substitute for an architectural or engineering design and do not reflect the unique requirements of local codes, laws, statutes or regulations that may be applicable for a specific installation. CertainTeed assumes no liability for the accuracy or completeness of the drawings for a specific installation or the fitness of the drawings for a particular purpose. The user is advised to consult with local licensed design professionals in order to assure compliance with all legal requirements. CertainTeed is not licensed to provide professional engineering or architectural services.*

**SPECIFICATIONS**

(unless noted otherwise)

MATERIAL: .032" | .040" | .050" | .063"

ALUMINUM

FINISH: PAINT | POWDER COAT

PERFORATION: CONTACT CERTAINTEED

**EDGELINE PERIMETER  
CONDITIONS**

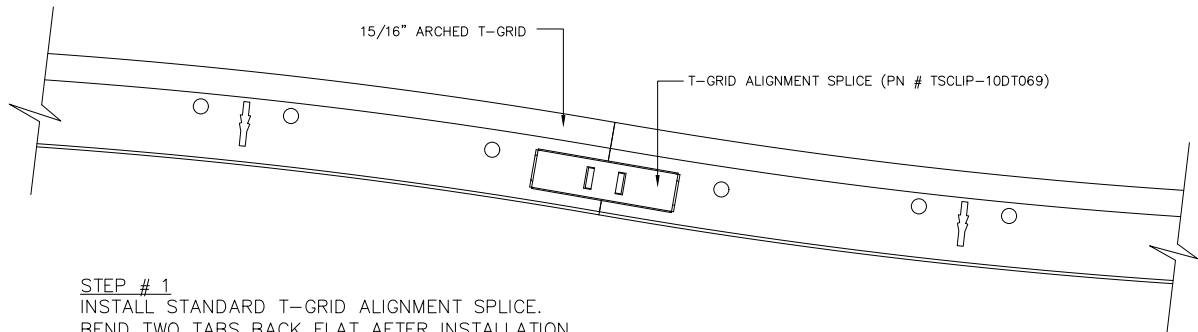
PROJECT: TORSION SPRING CURVED  
DRAWING NUMBER: TORSION-SPRING-  
CURVED-4

SCALE: NOT TO SCALE

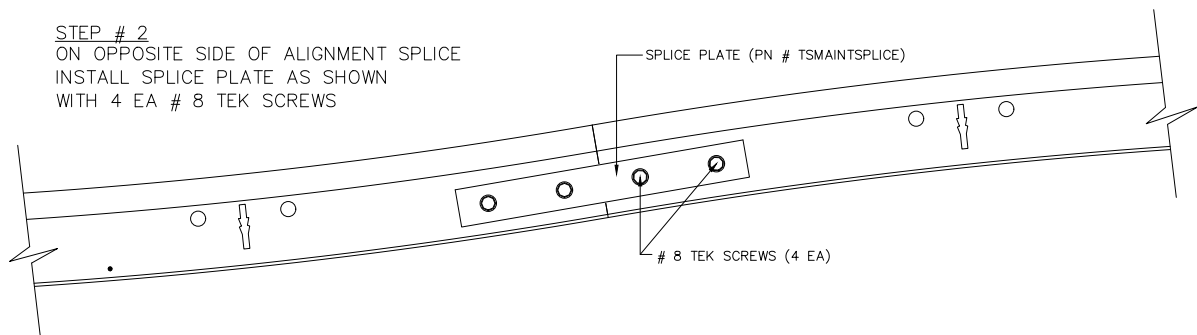
DRAWN BY: CTA ENGINEERING

DATE: 6/1/21

## TYPICAL T-GRID ALIGNMENT SPLICE INSTALLATION



**STEP # 1**  
 INSTALL STANDARD T-GRID ALIGNMENT SPLICE.  
 BEND TWO TABS BACK FLAT AFTER INSTALLATION



**STEP # 2**  
 ON OPPOSITE SIDE OF ALIGNMENT SPLICE  
 INSTALL SPLICE PLATE AS SHOWN  
 WITH 4 EA # 8 TEK SCREWS

ARCHITECTURAL

**CertainTeed**  
 SAINT-GOBAIN

5015 Oakbrook Parkway, Suite 100  
 Norcross, GA 30093  
 O 800 366 4327  
 F 770 806 0214  
[www.certainteed.com/architectural](http://www.certainteed.com/architectural)

These drawings show typical conditions for installing the CertainTeed product shown. They should not be construed as a substitute for an architectural or engineering design and do not reflect the unique requirements of local codes, laws, statutes or regulations that may be applicable for a specific installation. CertainTeed assumes no liability for the accuracy or completeness of the drawings for a specific installation or the fitness of the drawings for a particular purpose. The user is advised to consult with local licensed design professionals in order to assure compliance with all legal requirements. CertainTeed is not licensed to provide professional engineering or architectural services.

### SPECIFICATIONS

(unless noted otherwise)

MATERIAL: .032" | .040" | .050" | .063"

ALUMINUM

FINISH: PAINT | POWDER COAT

PERFORATION: CONTACT CERTAINTEED

### MAIN RUNNER SPLICE

PROJECT: TORSION SPRING CURVED  
 DRAWING NUMBER: TORSION-SPRING-CURVED-5

SCALE: NOT TO SCALE

DRAWN BY: CTA ENGINEERING

DATE: 6/1/21