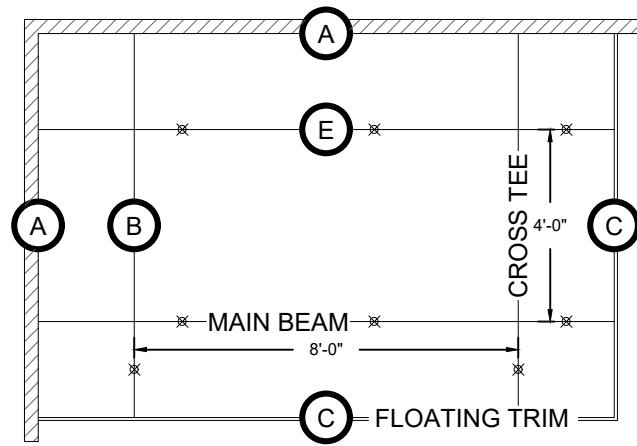
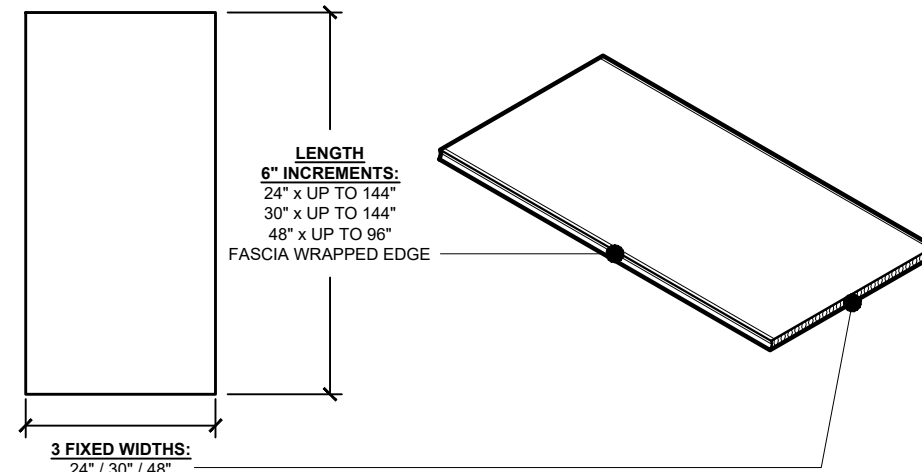


RCP KEY

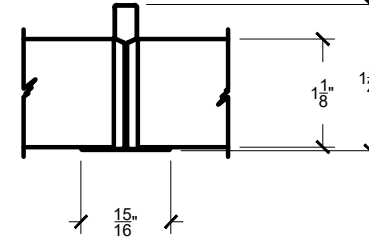


PANEL



DETAIL

SCALE: 6" = 1'-0"

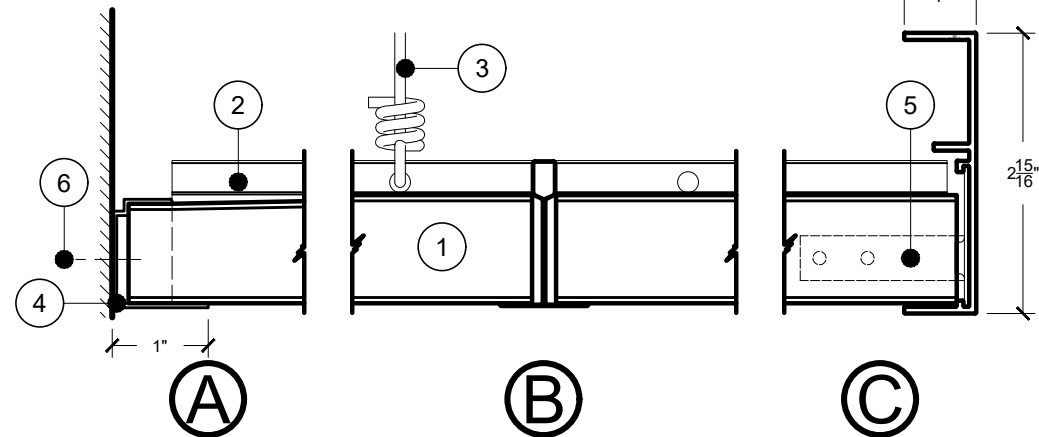


NOTES

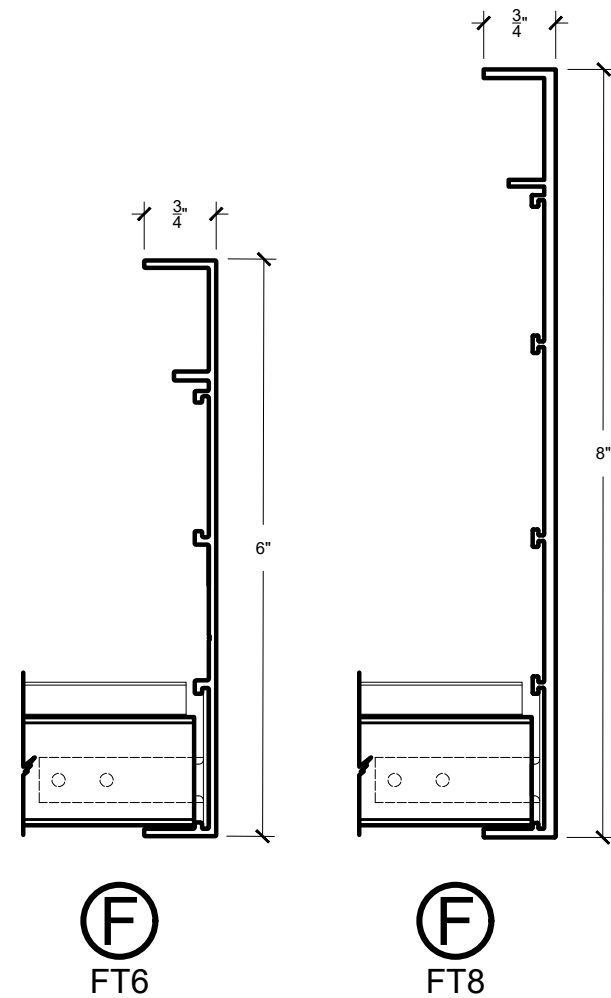
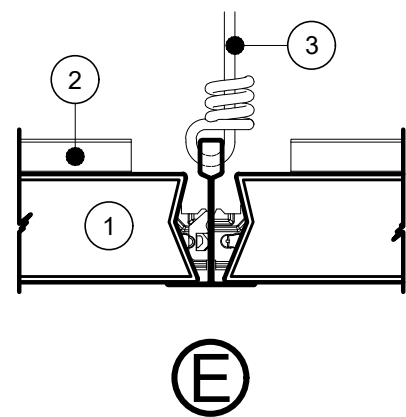
1. LAY IN PANEL
2. 15/16" GRID
3. 12GA HANGER WIRE
4. WT1 WALL TRIM *
5. TC2 CLIP (BEYOND)
6. ATTACHMENT TO WALL BY OTHERS

SYSTEM DETAILS

SCALE: 6" = 1'-0"



LAY IN PANEL
ON 15/16" GRID



TRIM OPTIONS



These drawings show typical conditions for installing the CertainTeed Ceilings product shown. They should not be construed as a substitute for an architectural or engineering design and don't reflect the unique requirements of local codes, laws, statutes or regulations that may be applicable for a specific installation.

CertainTeed Ceilings assumes no liability for the accuracy or completeness of the drawings for a specific installation or the fitness of the drawings for a particular purpose. The user is advised to consult with local licensed design professionals in order to assure compliance with all legal requirements.

CertainTeed is not licensed to provide professional engineering or architectural services.

QUESTIONS? CALL (800) 233-8990

TECHSTYLE CEILING SYSTEM: LAY IN

DRAWN: J888053

SCALE: AS NOTED

2/25/2020

SHEET 1 OF 1