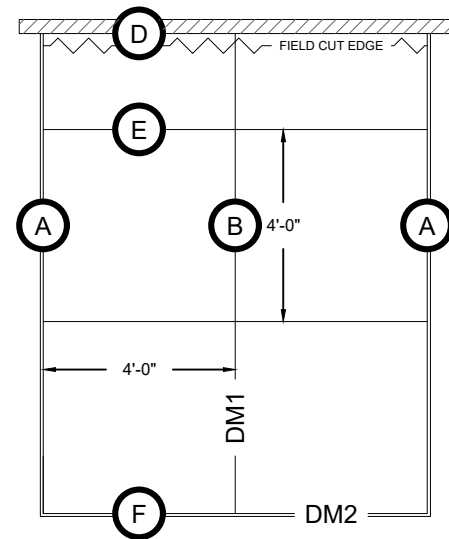
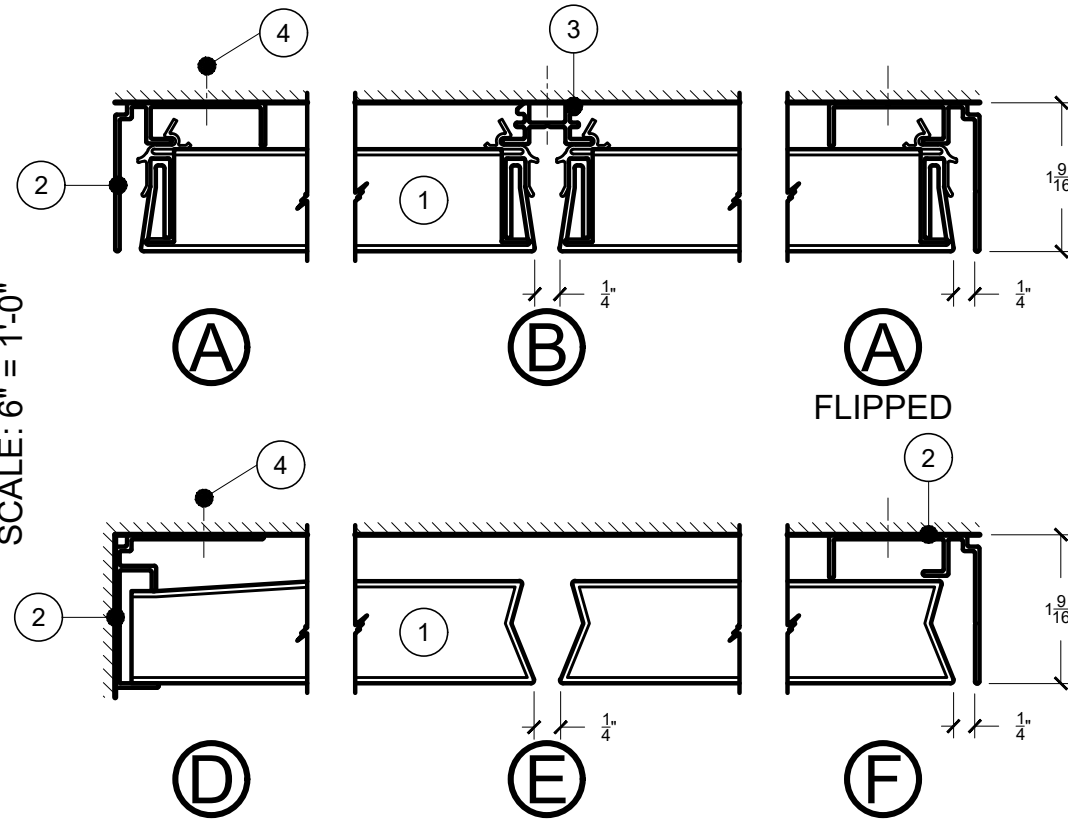


RCP KEY



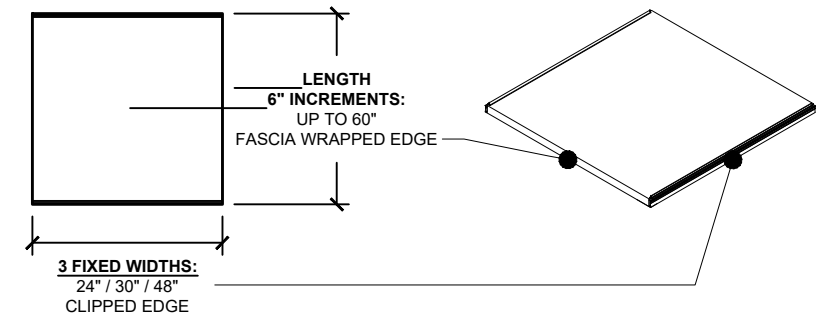
SYSTEM DETAILS

SCALE: 6" = 1'-0"



SWING DOWN PANEL
DIRECT MOUNT

PANEL



- NOTES**
1. SWING DOWN PANEL
 2. DM2 WALL
 3. DM1 RAIL
 4. ATTACHMENT TO DECK BY OTHERS



These drawings show typical conditions for installing the CertainTeed Ceilings product shown. They should not be construed as a substitute for an architectural or engineering design and don't reflect the unique requirements of local codes, laws, statutes or regulations that may be applicable for a specific installation.

CertainTeed Ceilings assumes no liability for the accuracy or completeness of the drawings for a specific installation or the fitness of the drawings for a particular purpose. The user is advised to consult with local licensed design professionals in order to assure compliance with all legal requirements.

CertainTeed is not licensed to provide professional engineering or architectural services.

QUESTIONS? CALL (800) 233-8990

TECHSTYLE CEILING SYSTEM: DIRECT MOUNT

2/25/2020

DRAWN: J888053

SCALE: AS NOTED

SHEET 1 OF 1