

## Installation Instructions Replacing a Damaged Cedar Impressions® Panel

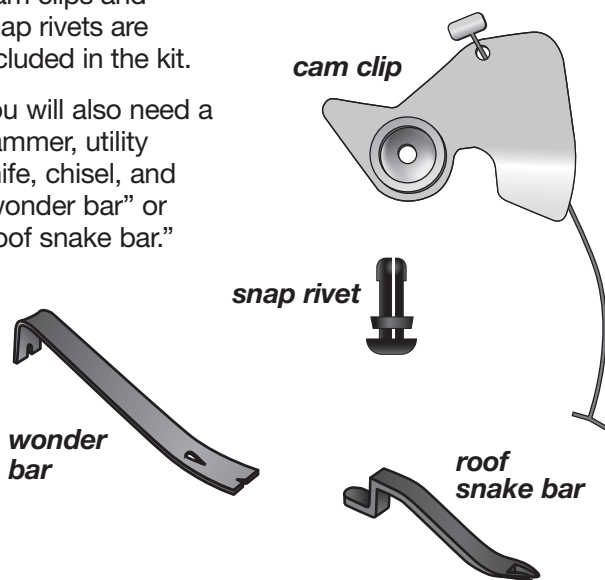
These instructions describe and illustrate the steps involved in installing CertainTeed siding and trim. Their purpose is to provide detailed information and how-to tips that will simplify the installation process. CertainTeed shall not accept any liability or responsibility under its written warranty for failure caused by application that does not meet our minimum requirements for proper installation. These requirements are outlined throughout the *CertainTeed Installation Guide (CTS205)*. Any deviations from these requirements should be approved in writing by CertainTeed Corporation.

The easiest way to repair a damaged Cedar Impressions Panel is to use a Shingle Repair Kit. You can order the Repair Kit (product code #57994) from your distributor.

### Replacing a Damaged Cedar Impressions Panel with the Repair Kit

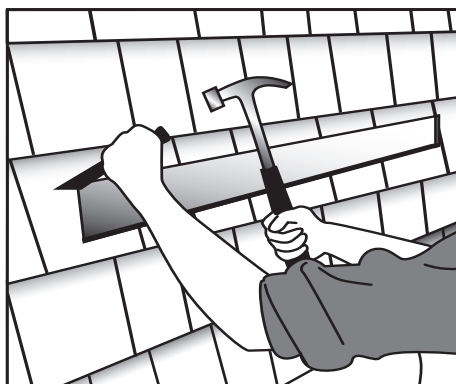
Cam clips and snap rivets are included in the kit.

You will also need a hammer, utility knife, chisel, and “wonder bar” or “roof snake bar.”

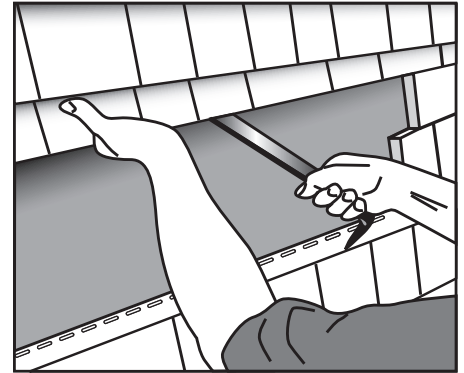


#### Removing the damaged panel

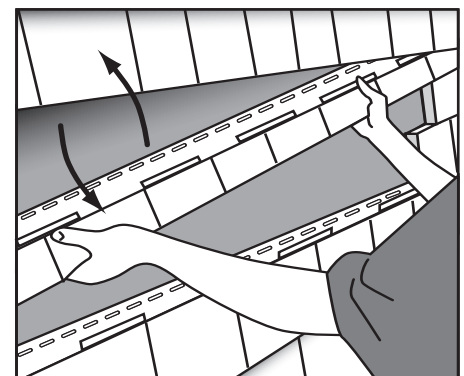
Cut a large rectangle out of the damaged panel. Cut or chisel through the sides of the panel and remove the lower half.



Pry the nails out of the nail hem of the damaged panel.

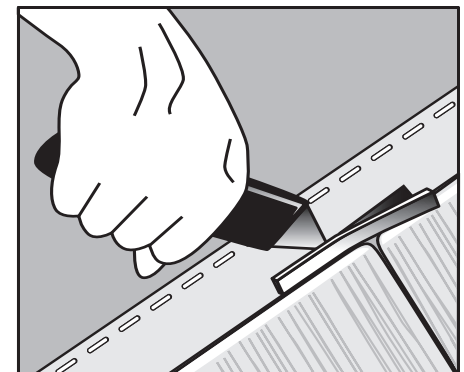


Push up on the panel to unlock it, and then pull down to remove the damaged panel.

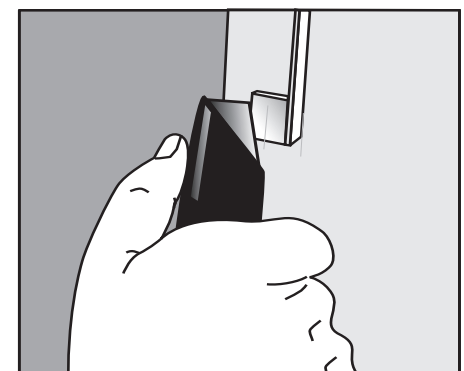


#### Preparing the new panel

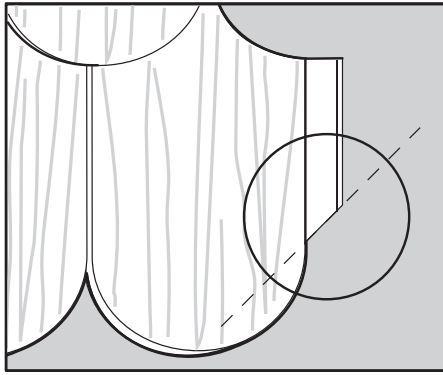
Cut off all top locking tabs.



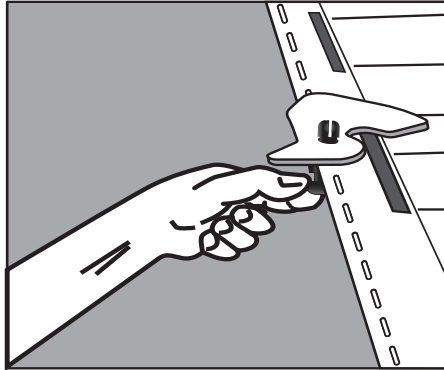
Flip the panel over and cut 1/8" off the side locking tabs.



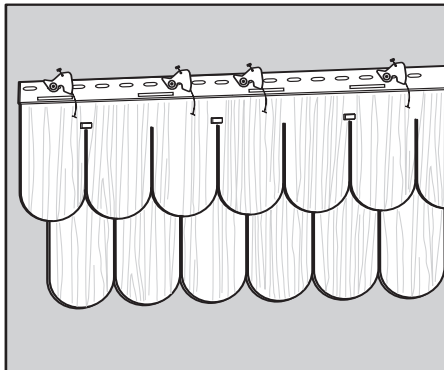
**NOTE: For Half-Round Shingles, notch the side locking tab on a 45° angle.**



From the back, insert a snap rivet into a nail slot above one of the locking tabs. Then place a cam clip over the snap rivet. Push on the back button of the snap rivet to secure the clip to the panel. Repeat over each locking tab area. Now you are ready to install the new panel.



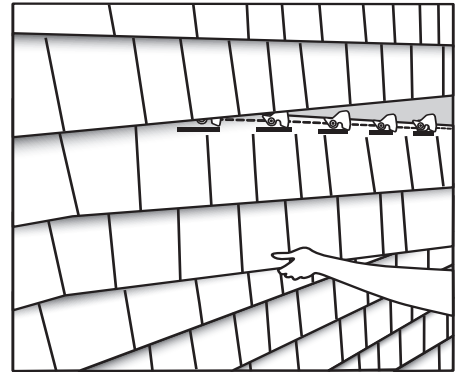
**NOTE: For Half-Round Shingles install four cam clips in nail slot locations (left to right) 3, 13, 18, 28.**



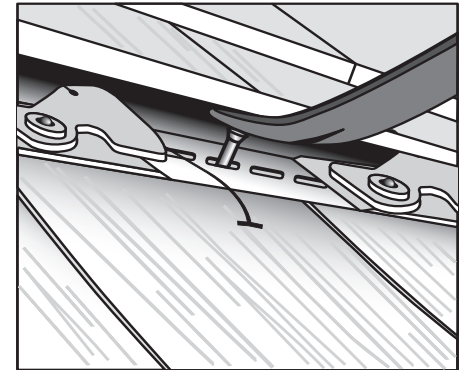
**NOTE: On the D9" Staggered Rough-Split Shakes and T5" Straight Edge Perfection Shingles panels, there are 7 locking tabs, but there are only 6 cam clips per kit. Place one cam clip in the nail slot above each of the end locking tabs, working towards the middle of the panel using all 6 clips. Leave one locking tab in the middle of the panel without the cam clip.**

### Installing the new panel

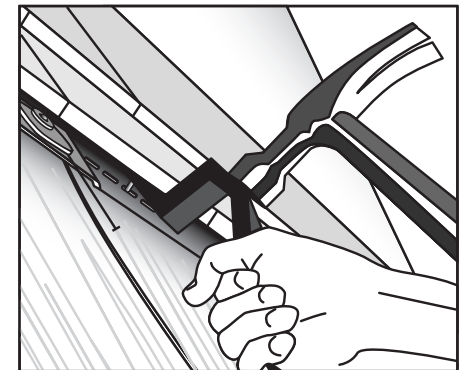
Slide the left side of the new panel into the side locking tabs. To engage the right side tabs into the existing panel, flex the panel out from the center. As you raise the new panel into position, make sure the bottom lip of the panel engages the locking tabs on the panel below.



Lift up the panel above the new panel far enough to place the nails into the old nail holes.



Using your Wonder Bar or roof snake bar, drive the nails in by placing the bar on the nail head and hitting the bar with a hammer.



While applying pressure to the top panel, pull down on the cam cords.

**Make sure each cam clip engages the lip of the panel above it.**

Keep pulling down on the cam cords until they break off.

