

TECHNICAL BULLETIN

REPAIRING CEDAR IMPRESSIONS PANELS

Repair of Cedar Impressions (Single Panels):

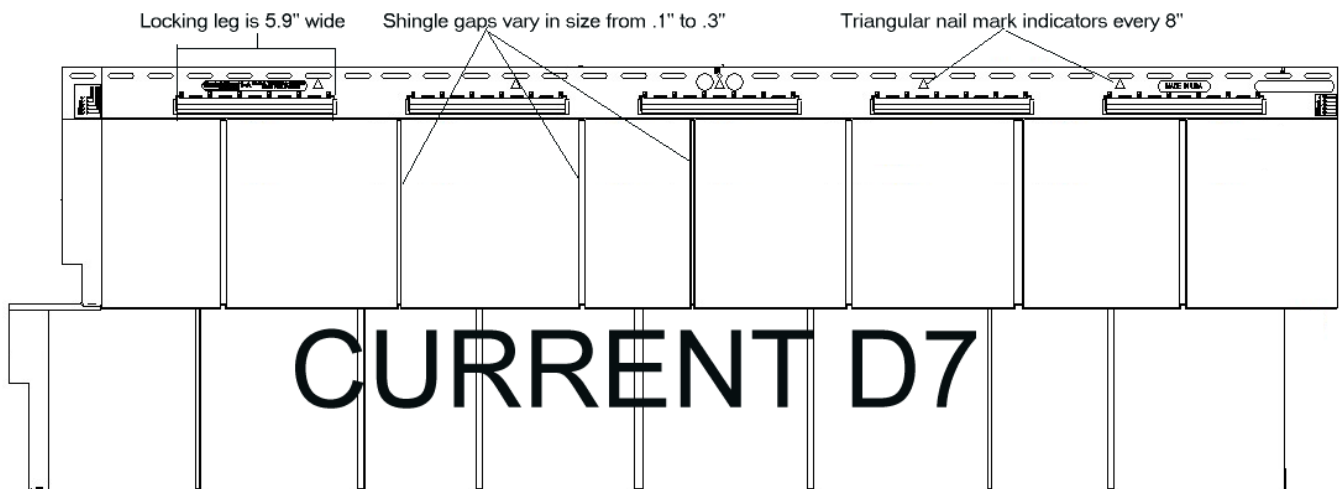
To repair a damaged piece of Cedar Impressions siding, use the Cedar Impressions Repair Kit, available through your local CertainTeed distributor. For instructions on how to remove and replace a panel refer to the [CertainTeed Vinyl and Polymer Siding Instruction Guide \(CTS205\)](#), page 113-116, or view the video [online](#).

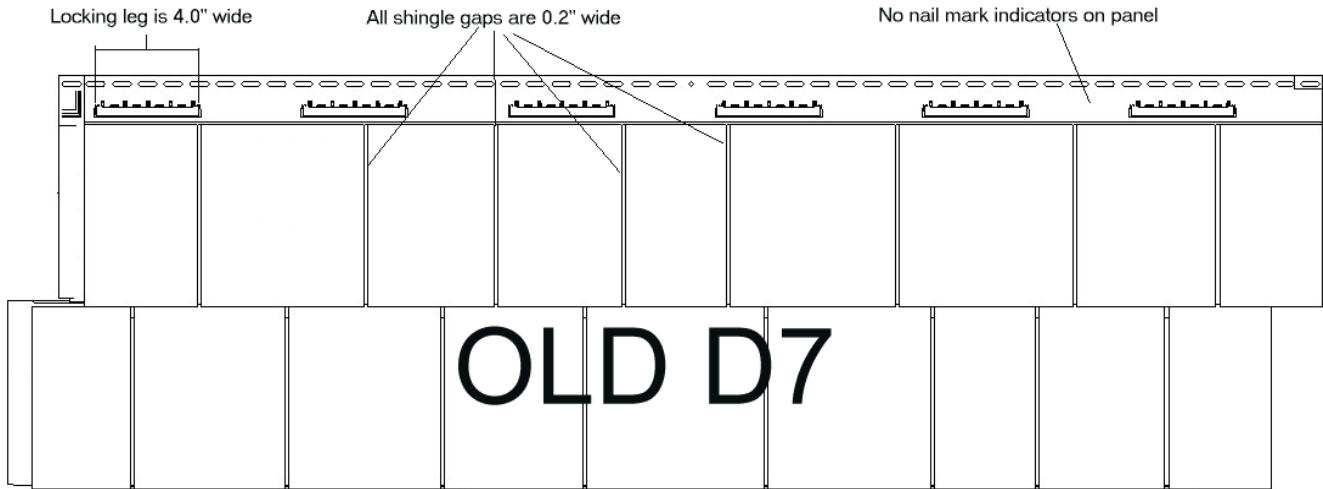
Repair of Cedar Impressions (Multiple Interlocking Panels):

When replacing multiple interlocking panels of Cedar Impressions it is highly recommended that you remove all Cedar Impressions siding product from the wall that is installed above the damaged panels. Once you have removed the row with the damaged panels you can begin reinstalling the siding on the wall. **DO NOT use the Cedar Impressions Repair Kit to replace multiple interlocking panels.**

Do Not Mix: "Old" versus "Current" Double 7" Straight Edge Perfection Panels

The D7" Straight Edge Perfection panel was redesigned in 2007. The "old" version (prior to 2007) and the "current" version **CANNOT BE MIXED** on a wall as a result of the redesign in 2007 – the two panels will not interlock and will have a noticeably different visual appearance when installed together on the same wall. The updated (current) design has an enhanced lock, nail mark indicators, longer nail slots, a longer butt leg and gaps between the shingles that vary in size (as well as several other minor details). The details below will help you to correctly identify which version is installed on the property:





NOTE: Normal weathering of the product may have occurred, causing potential matching issues between newer replacement panels and existing siding on the wall. Prior to reinstallation, review the existing and replacement panels to ensure a good aesthetic match

Additional conditions of CertainTeed Vinyl and Polypropylene Siding:

- **All products must be installed in accordance with all National, State, and Local building codes. Be sure to check with your local code official or governing body for the building requirements in your area.**
- **All other installation requirements listed in the CertainTeed Vinyl and Polypropylene Siding Installation Manual must be met.**

Questions regarding the utilization of the above information should be directed to:

CertainTeed Vinyl and Polypropylene Siding Information: 800-233-8990

For more information on CertainTeed Vinyl Siding and Polypropylene Shake application please refer to document code no. [CTS205](#), [CertainTeed Vinyl Siding and Polypropylene Shake Installation Guide](#).