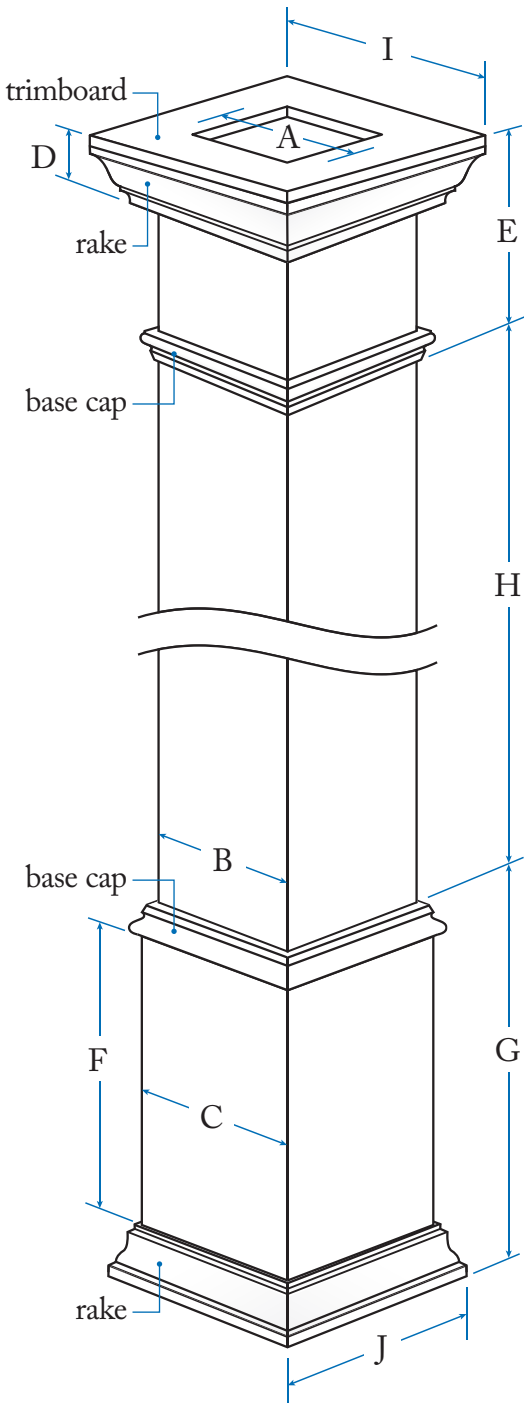


# TECHNICAL BULLETIN

## Restoration Millwork® Column Wrap Specifications

### Estate Column Wrap



Available in 9' height.

Designed to wrap 4x4 and 6x6 wood posts.

Refer to installation instructions for internal spacer block information.

#### ◀ Estate Column Wrap

	8" x 8"	10" x 10"
A (ID)	7"	9"
B	8"	10"
C(OD)	9-1/8"	11-1/8"
D	2-1/2"	2-1/2"
E	8"	10"
F	9-1/8"	9-1/8"
G	13"	13"
H	87"	85"
I (OD)	11-9/16"	13-9/16"
J(OD)	11-3/8"	13-3/8"

#### ▶ Classic Column Wrap

	8" x 8"	10" x 10"
A (ID)	7"	9"
B	8"	10"
C(OD)	9-1/8"	11-1/8"
D	5-7/8"	5-7/8"
E	7"	7"
F	11-3/4"	11-3/4"
G	13"	13"
H	88"	88"
I (OD)	9-1/8"	11-1/8"

### Classic Column Wrap

