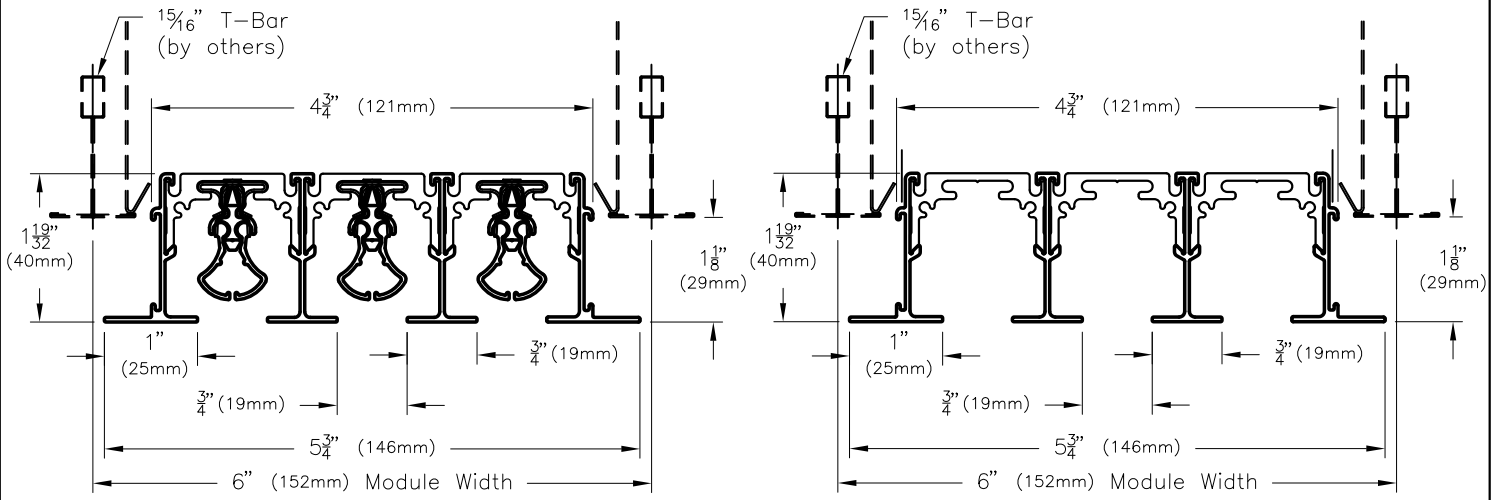


**SDS / SDR Linear Slot Diffuser - Type 21
for Certainteed Techstyle Ceiling Applications**

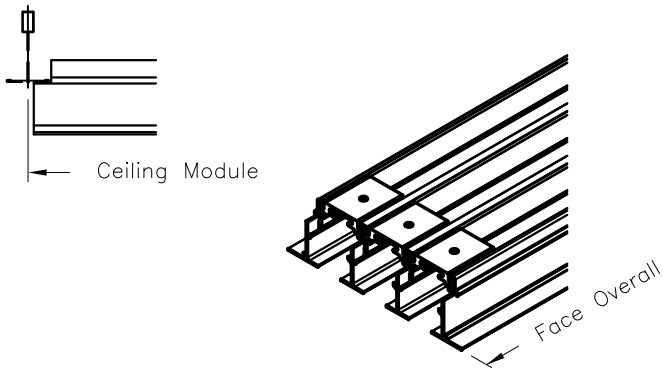


SDS75

SDR75

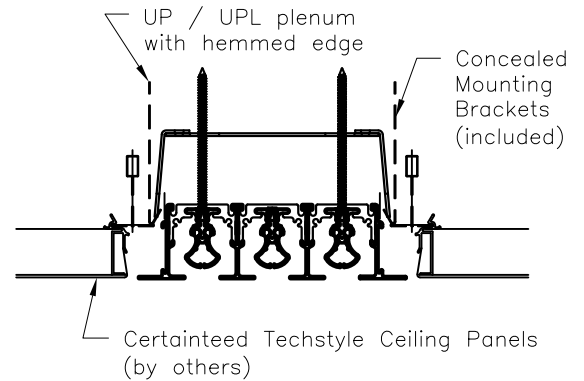
END CONDITIONS:

V - NOTCHED END FOR TECHSTYLE



END CONDITION	FACE LENGTH
V-V	Ceiling Module - 1/4" (6mm)

MOUNTING:



MODULE WIDTH	SLOT QUANTITY
6" (152mm)	3

FINISH:

- Pattern controllers – B17 Black
 - Diffuser face – B12 Standard White
 - Optional finishes available:
 - Optional colors
 - Custom colors
 - Anodized
- See finishes brochure for additional information. Contact your PRICE representative for leadtimes and pricing.

MATERIAL:

- Extruded aluminum frame
- Rollformed steel or extruded aluminum pattern controllers on SDS75

NOTE:

- Available lengths:
 - 24" (610mm)
 - 48" (1219mm)
 - 60" (1524mm)
- For use with Certainteed Techstyle ceilings with 6" (152mm) module width and swing down or Echelon grid mounting
- 180° air pattern adjustment (supply diffusers)
- For use with model UP / UPL plenums, type 21 (order separately)
- Factory tolerance ± 1/32" (1mm)
- See installation instruction I100048

MODELS:

- Supply Diffusers: Return Diffusers:
- SDS75 – 3/4" slot
 - SDR75 – 3/4" slot

ALL METRIC DIMENSIONS () ARE SOFT CONVERTED. IMPERIAL DIMENSIONS ARE CONVERTED TO METRIC AND ROUNDED TO THE NEAREST MILLIMETER.

PROJECT:		PRICE®
ENGINEER:		
CUSTOMER:		SDS / SDR TYPE 21 LINEAR DIFFUSER TECHSTYLE CEILING
SUBMITTAL DATE:	SPEC. SYMBOL:	
		248405
		2022/02/07

