

CertainTeed

Structural
Porch Post

Structural
Porch Column

STEP-BY-STEP

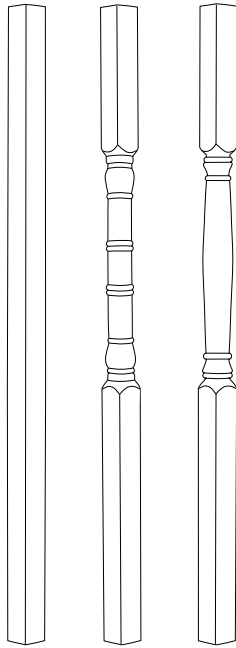
INSTALLATION INSTRUCTIONS FOR

STRUCTURAL PORCH POSTS AND COLUMNS

Virtually Maintenance Free | Lifetime Limited Warranty with SureStart™ Protection
Load Bearing Support System | Never Needs Painting

BEFORE YOU BEGIN

POSTS



HELPFUL HINTS

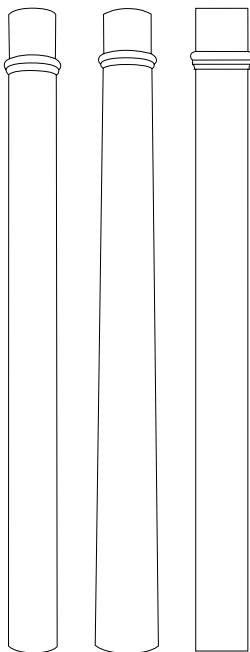
Read these instructions thoroughly before beginning the assembly.

- Use carbide-tipped multi-purpose blade for cutting.
- Do not lay vinyl components on abrasive surfaces.
- Not ACQ compatible. Use plastic between base plate and wood surface.
- If any components are missing or defective, please call us at: **800-380-5323**

TIPS

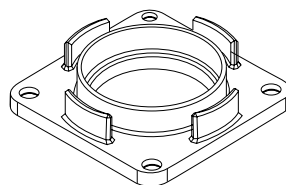
- Make sure you have all the pieces you need to complete the job.
- Before installing you will need to modify the height of the base trim to allow proper clearance between bottom rail and finished deck.
- It is the responsibility of the owner to meet or exceed all code and safety requirements, and to obtain all required building permits. These instructions are only a guide and may not address every circumstance. The deck and railing installer should determine and implement appropriate installation techniques for each situation.

COLUMNS



PORCH POST TOOLS REQUIRED

Chop/mitre saw –
with carbide-tipped multi-purpose blade
Tape measure
Pencil
Drill with 11/64" drill bit
Level



Improved tie-down plate

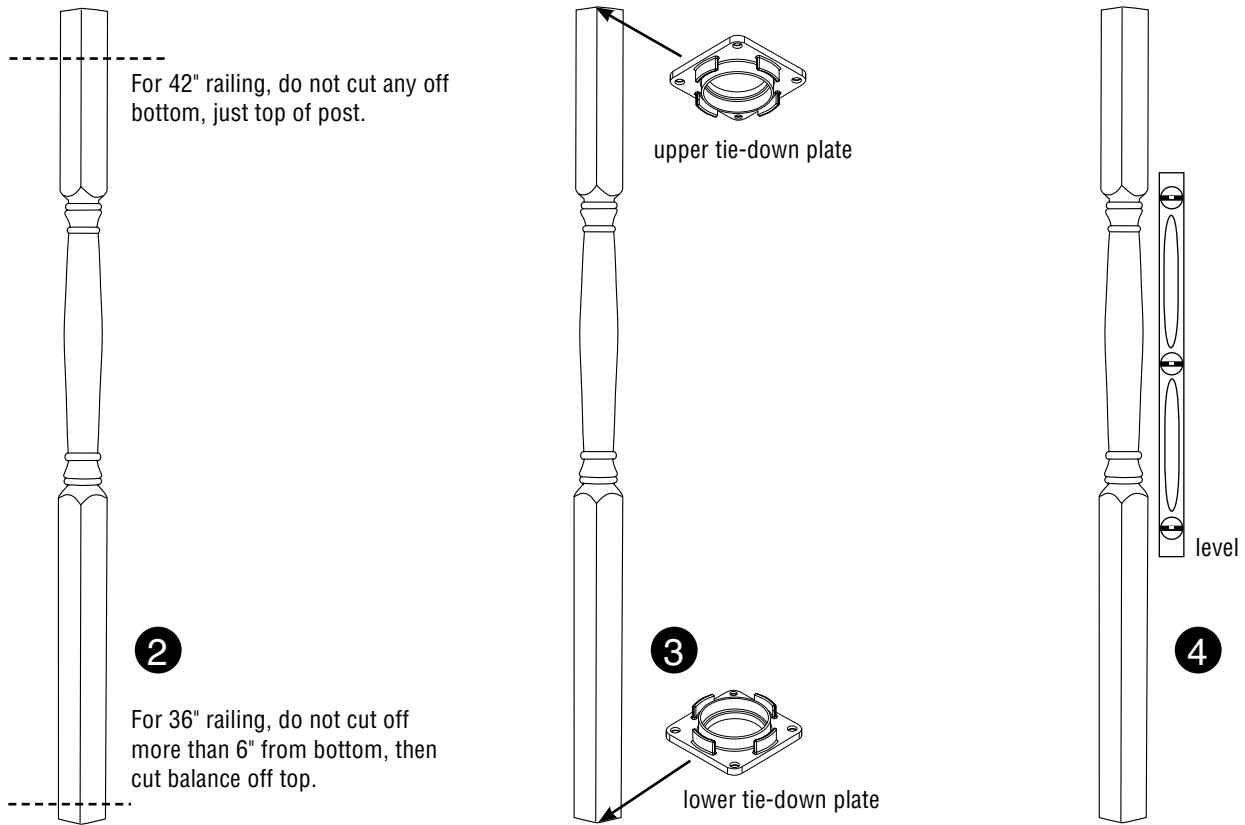
PORCH COLUMN TOOLS REQUIRED

Saber saw with a fine-tooth blade
Tape measure
Pencil
Hammer drill with 1/4" and 1/2" drill bit
Level
T-square

IMPORTANT:

**ALWAYS WEAR SAFETY
GLASSES WHEN CUTTING
OR DRILLING
VINYL/ALUMINUM PRODUCTS.**

INSTALLING PORCH POSTS



Step 1: Measure porch opening. Subtract 3/4" from measurement to account for tie-down plates.

Step 2: Measure and cut post to length. Note: For 42" railing, do not cut any off bottom, just top of post. For 36" railing, do not cut off more than 6" from bottom, then cut balance off top.

Step 3: Insert top and bottom tie-down plates into ends of post.

Step 4: Position post into place and plumb. Mark placement of tie-down plates.

Step 5: Turn post a quarter turn clockwise to expose tie-down attachment screw holes.

Step 6: Secure top and bottom tie-down plates to header and floor using screws provided.

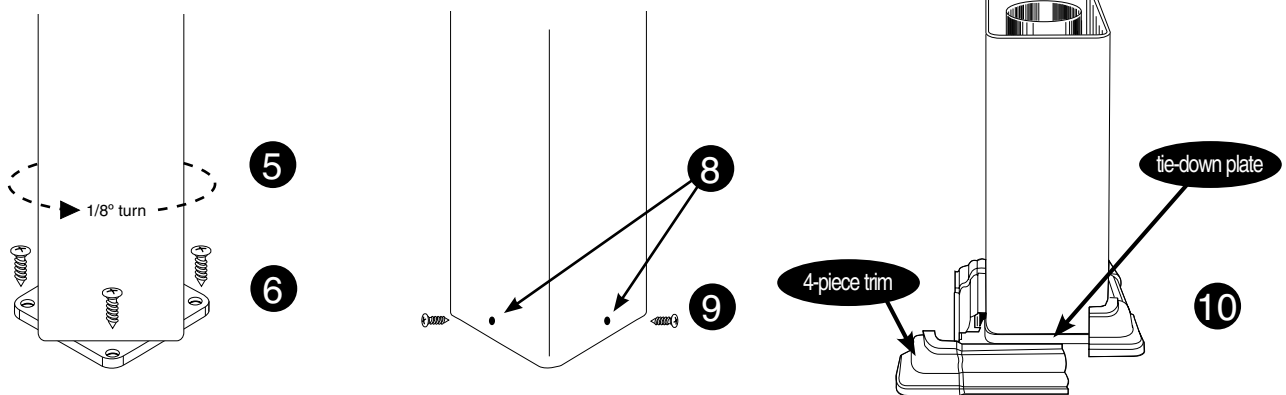
Tip: For concrete installation, Tapcon® anchors are recommended (not provided).

Step 7: Turn post back into position.

Step 8: At each end of the 4 sides of post, pre-drill attachment screw holes (11/64" bit) through post and reinforcement.

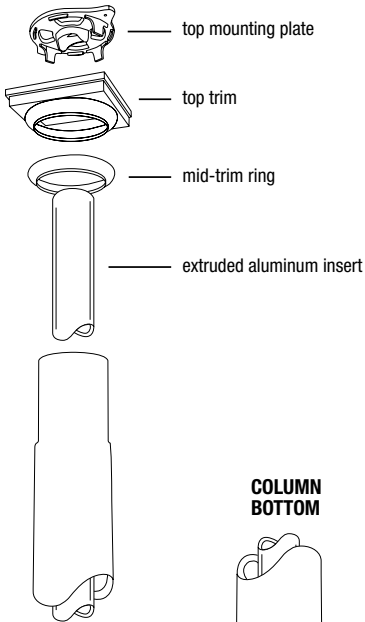
Step 9: Secure post to top and bottom tie-down plates with screws provided.

Step 10: Install trim pieces into place around top and bottom of the post to complete installation.

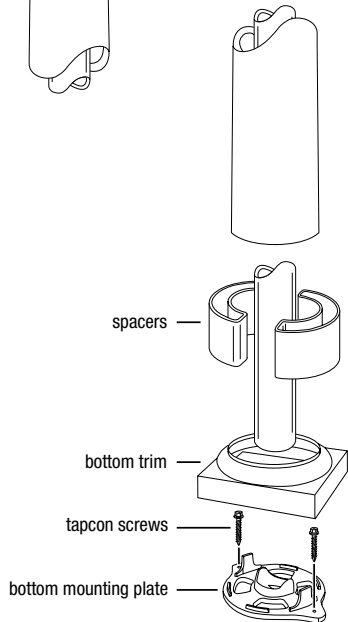


INSTALLING ROUND PORCH COLUMNS

COLUMN TOP



COLUMN BOTTOM



Note: The Porch Column includes column, top mounting plate and bottom mounting plate.

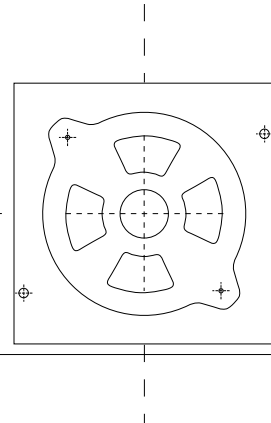
Column Base/Cap Trim Kit includes top trim, mid trim, bottom trim and hardware.

For complete system, order both Porch Column and Column Base/Cap Trim Kit.

Note: If a railing system is being installed with the lower rail at less than 4-1/4" off of the deck, the base trim ring will need to be cut to provide for the lower rail mounting bracket. Trim ring must be cut before column is installed. Refer to Modifying Base Trim on the last page.

Step 1:

Begin by laying out the placement of the columns. Typically, the center of the carrying beam is determined along with the location of each column on that line. Mark the location on the center of each column. Using a "plumb bob," determine the center of the column at the floor level and mark that spot. With all column centers marked, snap a line the length of the project through the center marks.



Step 2:

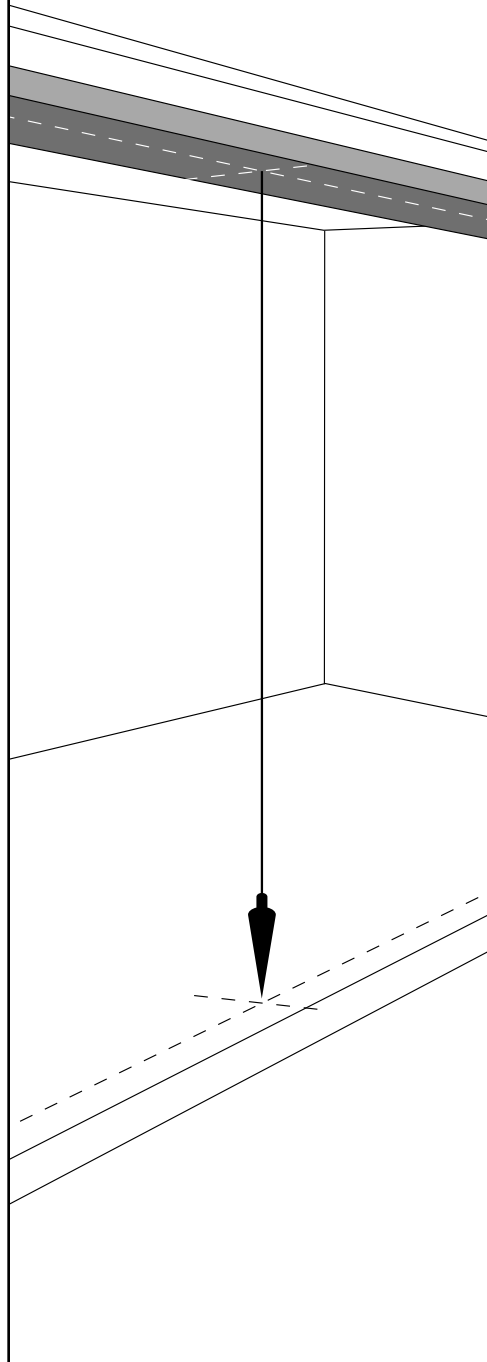
Using the template that is provided with the column trim, mark the center as established from the previous step. Align the centering marks of the template with the project center line from the previous step. Mark the position of the holes for the bottom bracket and the trim locator pins (bottom side of trim ring). Likewise, mark the position of the top bracket mounting holes (there are no locator pins on the top). Care in establishing the top and bottom bracket locations will enable the column to be installed plumb. **This is especially important when installing tapered columns.**

Step 3:

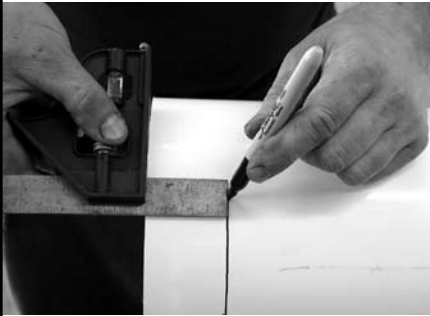
Using a hammer drill, pre-drill 1/4" holes for the bottom bracket at an angle that will be convenient to drive the screws into the concrete when the Column assembly is placed (see Step 11). Drill 1/2" holes for the trim locator pins. These are drilled straight into the concrete. Typically, it is not necessary to pre-drill the top bracket holes. However, to ensure the most correct placement of the bracket, you may wish to provide pilot holes.

Step 4:

If adjusting the length of the column is required, slide the inner column and spacers out of the column from the base (straight) end. Measure and mark the amount to be removed and cut the inner column with a fine-tooth carbide blade on a chop saw.



INSTALLING ROUND PORCH COLUMNS (CONT)



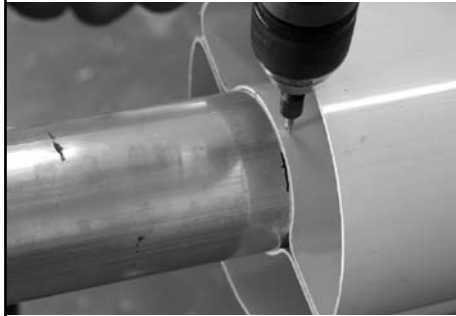
Step 5:
Using a "T" square, mark the outer column (bottom straight end only).



Step 6:
Remove the unwanted amount using a saber saw with a fine-tooth blade.



Step 7:
Pre-assemble each column to be installed by first determining the position of the inner column spacers (34" for 36" high railing, 36" for 42" high railing).



Step 8:
Spacers need to be fixed in place using #8x2" self-drilling screws. Slide inner pipe with spacer into column. If a railing system is being installed with the lower rail at less than 4-1/4" off of the deck, the base trim ring will need to be cut to provide for the lower rail mounting bracket. **Refer to Modifying Base Trim on the last page.**



Step 9:
Slide the mid-trim ring onto the column, as shown. 8" and 10" tapered columns have an offset on which the ring rests. The location of the rings for straight columns should be pre-determined (typically, 8" from the top on the 8" post) and marked.

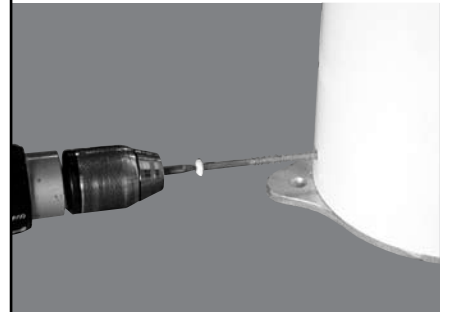


Step 10:
With the rings properly positioned on the 8" straight column, drive #8x2" self-drilling screws into the column through the holes in the top of the ring, as shown. Slide the top and bottom trim over the column, followed by the top and bottom mounting brackets.

Step 11:
Slide the assembly into position aligning the brackets with the holes drilled in Step 2. Using a hammer drill, drive the Tapcon® screws into the concrete deck. Likewise, affix the top bracket to the carrying timber.



Step 12:
In areas where uplift from high winds is considered a problem, pre-drill 15/64" holes through the column and bracket ears at the position of the bracket mounting tabs into the post approximately 1" from the bottom and 1" from the top.



Step 13:
Drive #14x4" screws into the column, securing the column to the bracket top and bottom. Placement of the top and bottom trim will hide the screws (2 screws per bracket).



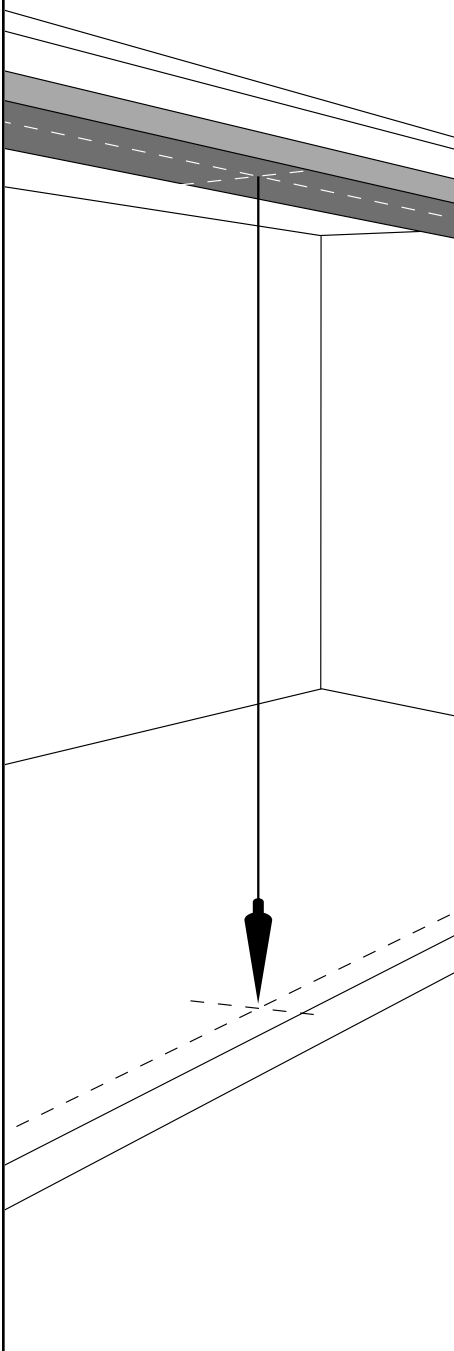
Step 14:
Top trim is now fixed to the carrying beam as shown using #8x2" self-drilling screws.

INSTALLING SQUARE PORCH COLUMN

If a railing system is being installed with the lower rail at less than 4-1/4" off of the deck, the base trim ring will need to be cut to provide for the lower rail mounting bracket. Trim ring must be cut before column is installed. Refer to **Modifying Base Trim on the last page**.

Step 1:

Begin by laying out the placement of the columns. Typically, the center of the carrying beam is determined along with the location of each column on that line.



Mark the location of the center of each column. Using a "plumb bob," determine the center of the column at the floor level and mark that spot. With all column centers marked, snap a line the length of the project through the center marks.

Step 2:

Using a hammer drill, pre-drill 1/4" holes for the bottom bracket at an angle that will be convenient to drive the screws into the concrete when the column assembly is placed. Typically, it is not necessary to pre-drill the top bracket holes. However, to ensure the most correct placement of the bracket, you may wish to provide pilot holes.

Step 3:

Using a "T" square, mark the outer column.

Step 4:

Remove the unwanted amount using a saber saw with a fine-tooth blade.

Step 5:

Slide the mid-trim ring onto the column.

Step 6:

With the ring properly positioned on the column, drive #8x2" self-drilling screws into the column through the holes in the top of the ring. Slide the top and bottom trim over the column, followed by the top and bottom mounting brackets. If a railing system is being installed with the lower rail at less than 4-1/4" off of the deck, the base trim ring will need to be cut to provide for the lower rail mounting bracket. Refer to **Modifying Base Trim on the last page**.

Step 7:

Slide the assembly into position aligning the brackets with the holes drilled in Step 2. Using a hammer drill, drive the Tapcon® screws into the concrete deck. Likewise, affix the top bracket to the carrying timber.

Step 8:

In areas where uplift from high winds is considered a problem, pre-drill 1/4" holes through the column and bracket ears at the position of the bracket mounting tabs into the post, approximately 1" from the bottom and 1" from the top.

Step 9:

Drive #14x4" screws into the column, securing the column to the bracket top and bottom. Placement of the top and bottom trim will hide the screws (2 screws per bracket).

Step 10:

Top trim is now fixed to the carrying beam using #8x2" self-drilling screws.

MODIFYING BASE TRIM FOR PORCH COLUMNS WHEN INSTALLING RAILING SYSTEM

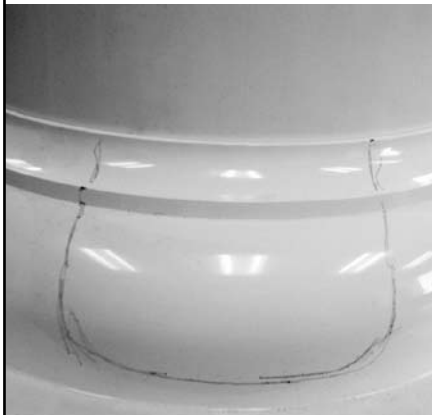
Step 1:

Determine the height and placement of the bottom rail. You can use the bottom rail from the system you are installing to help. Be sure to check local codes for the maximum distance from the deck surface to the bottom of the railing.



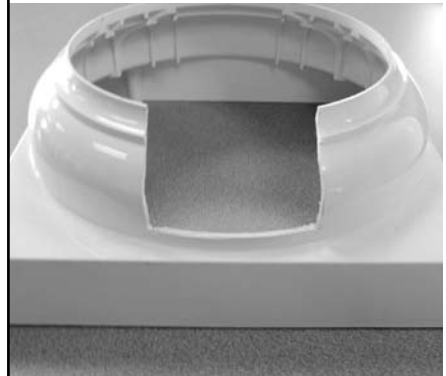
Step 2:

Mark the location where the rail will fall on the base trim. Include railing trim cover when marking for cutout.



Step 3:

Cut out base trim where you marked.



Step 4:

Continue with column installation.

Step 5:

Follow the railing system instructions for the system you are using to complete the railing installation.



ASK ABOUT OUR OTHER CERTAINTEED PRODUCTS AND SYSTEMS:

EXTERIOR: ROOFING • SIDING • WINDOWS • FENCE • RAILING • TRIM • DECKING • FOUNDATIONS • PIPE
INTERIOR: INSULATION • GYPSUM • CEILINGS

CertainTeed Corporation
P.O. Box 860
Valley Forge, PA 19482

Professional: 800-233-8990
Consumer: 800-782-8777
www.certainteed.com

CertainTeed 