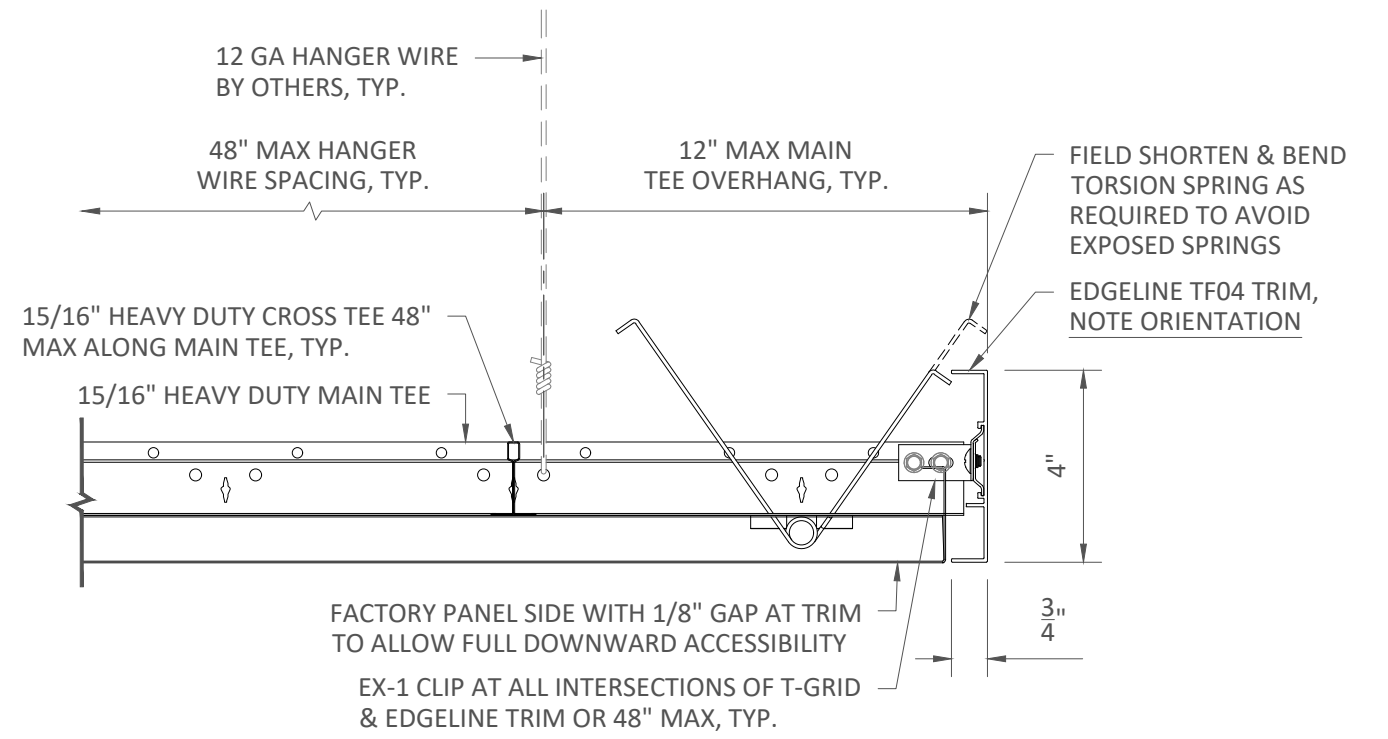
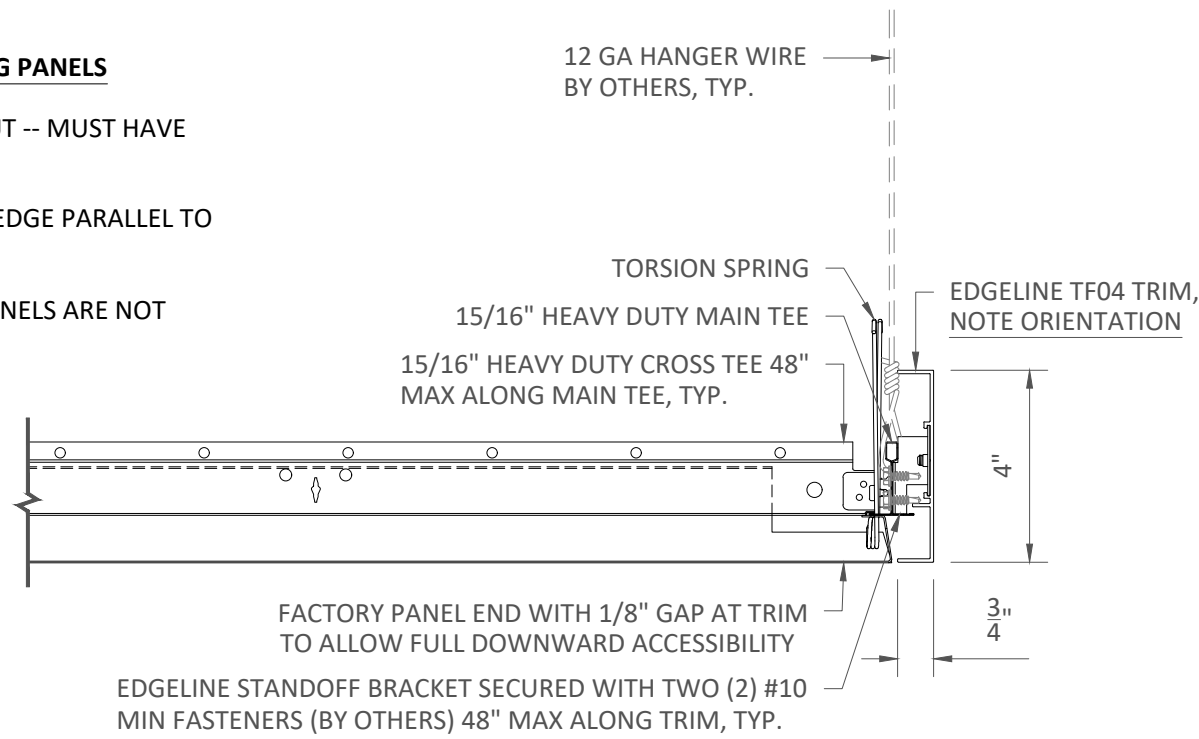


ACCESSIBLE TORSION SPRING PANELS

PANELS CANNOT BE FIELD CUT -- MUST HAVE FACTORY EDGES

USE STANDOFF BRACKET AT EDGE PARALLEL TO MAIN TEE

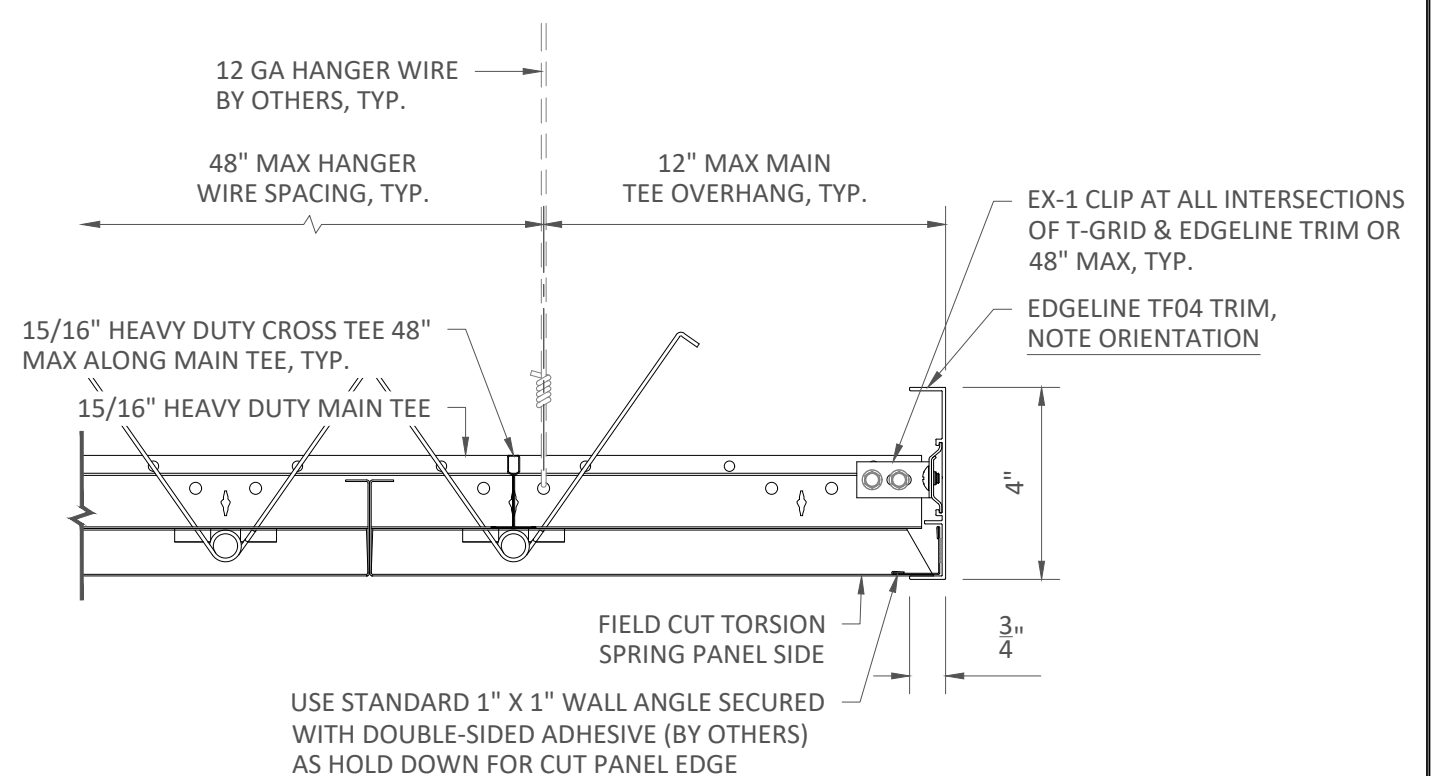
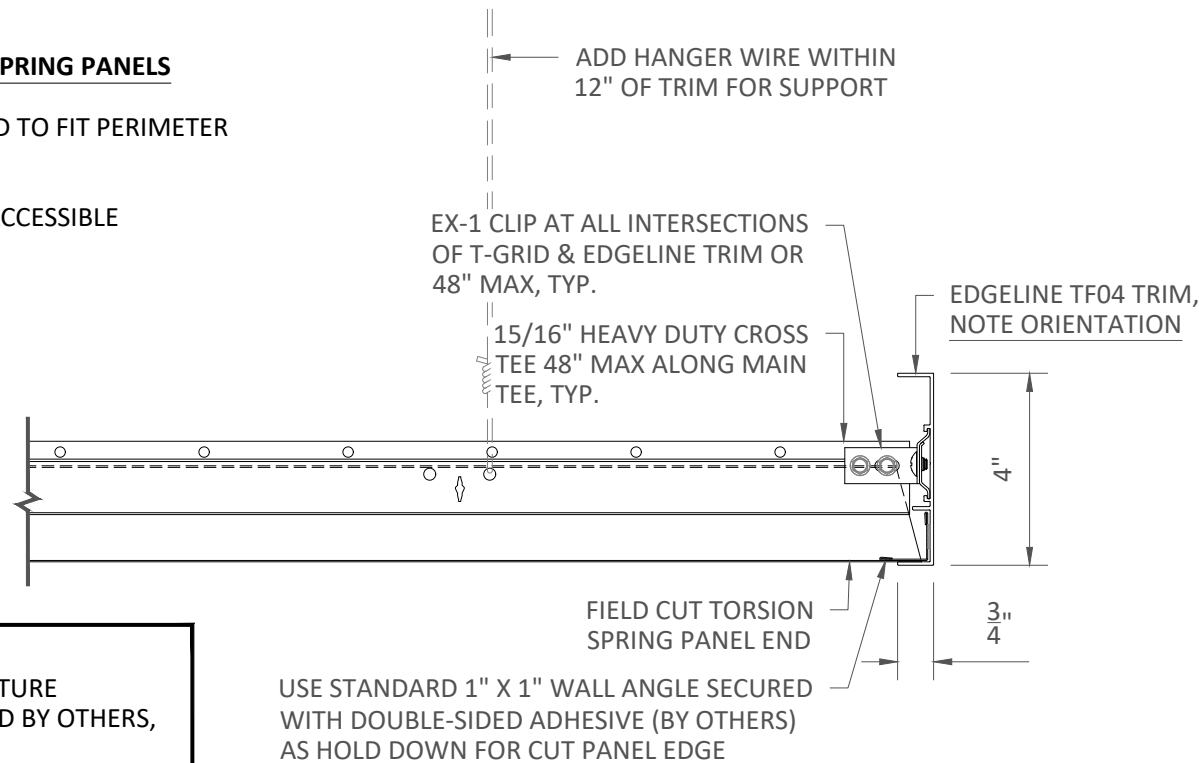
USE 1/8" GAP AT TRIM SO PANELS ARE NOT TRAPPED BY TRIM FLANGE



NON-ACCESSIBLE TORSION SPRING PANELS

FIELD CUT PANELS AS NEEDED TO FIT PERIMETER CONDITIONS

PANELS AT TRIM WILL BE INACCESSIBLE



NOTE:
ATTACHMENT TO STRUCTURE DESIGNED AND PROVIDED BY OTHERS, NOT BY CERTAINTEED.

INTERIOR INSTALLATION



5015 Oakbrook Parkway, Suite 100
Norcross, GA 30093
O 800 366 4327
F 770 806 0214
www.certainteed.com/architectural

SPECIFICATIONS

(unless noted otherwise)
MATERIAL: EXTRUDED ALUMINUM, THICKNESS VARIES
FINISH: PAINT | POWDER COAT | DECORATED WOOD FINISH | LUXACOTE
PERFORATION: NOT AVAILABLE

TORSION SPRING - TYPICAL SECTIONS AT EDGELINE

PROJECT: EDGELINE PRODUCT SPECIFICATIONS
DRAWING NUMBER: EDGELINE-A1.4
SCALE: 3" = 1'-0"
DRAWN BY: CTA ENGINEERING
DATE: 1/28/22

These drawings show typical conditions for installing the CertainTeed product shown. They should not be construed as a substitute for an architectural or engineering design and do not reflect the unique requirements of local codes, laws, statutes or regulations that may be applicable for a specific installation. CertainTeed assumes no liability for the accuracy or completeness of the drawings for a specific installation or the fitness of the drawings for a particular purpose. The user is advised to consult with local licensed design professionals in order to assure compliance with all legal requirements. CertainTeed is not licensed to provide professional engineering or architectural services.