

Sealant - Vertical Seam Deficiencies

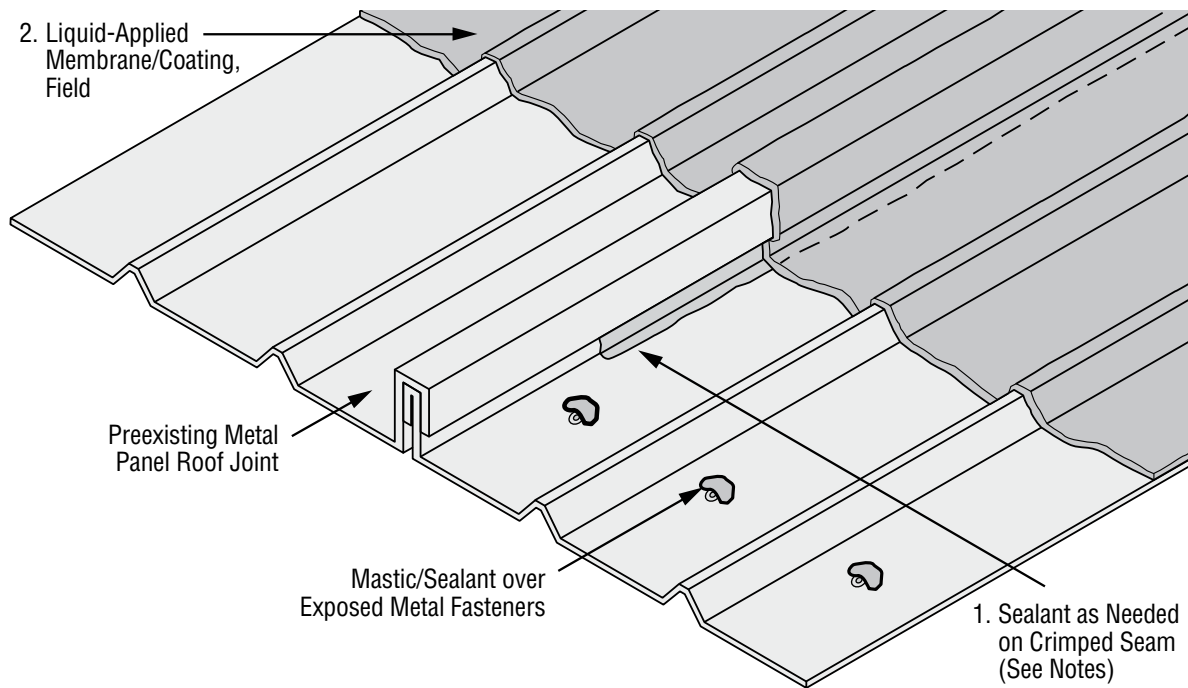
Thoroughly inspect length of crimped seam for deficiencies, such as but not limited to dents. Gun a minimum 1/4" bead of SMARTCOAT 370 UltraSeal over any deficiencies, extending a minimum 2" beyond area of concern in both vertical directions. Deficiency shall be fully encapsulated.

Mastic/Sealant - Fasteners

Remove and replace damaged fasteners, seal all exposed metal fasteners with SMARTCOAT 300 Series Mastic by brush, trowel or gloved hand or gun SMARTCOAT 370 UltraSeal.

Liquid-Applied Coating/Membrane, Field

Once mastic is cured, apply coating in accordance with specified SMARTCOAT application. Multiple coats will be required to achieve specified mil thickness on roofs with greater than 3:12 slope or on vertical surfaces; it is not recommended to apply more than 1G per 100 sq. ft. in a single coat to avoid material sagging.



NOT DRAWN TO SCALE