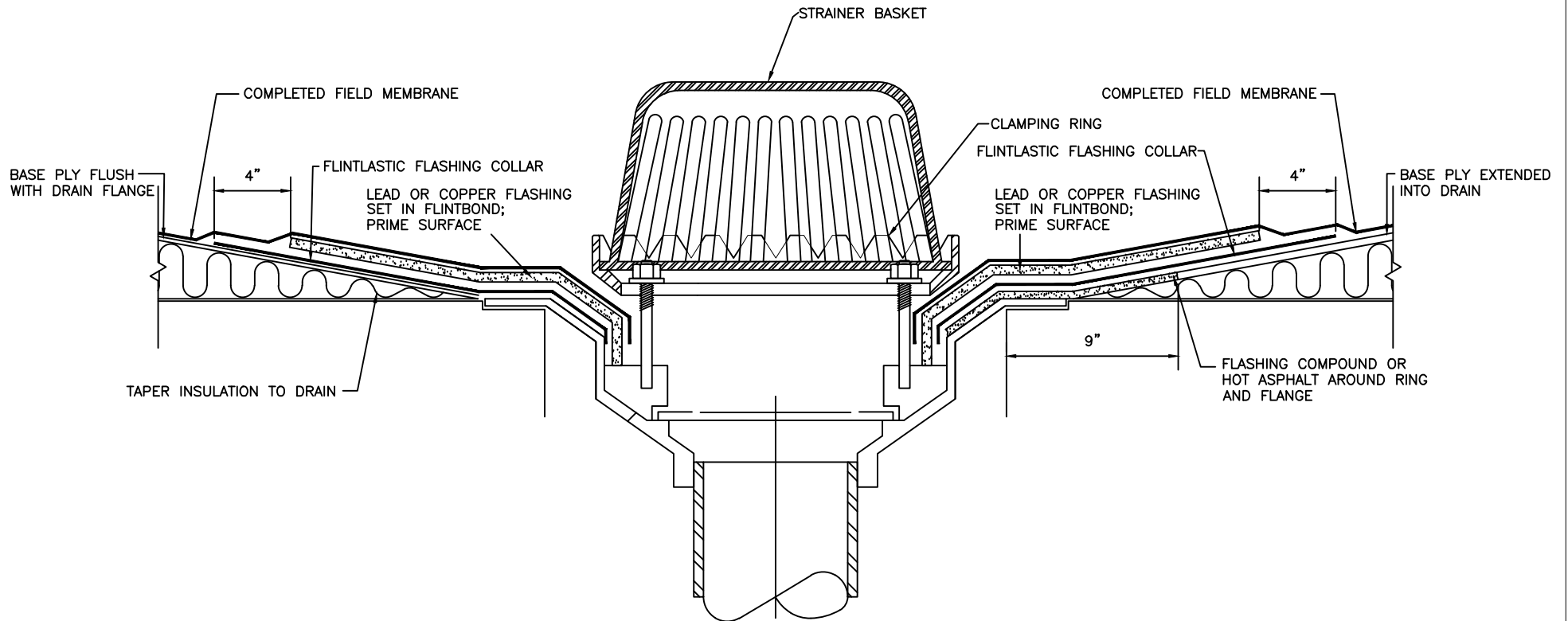


TORCH APPLIED METHOD

HOT ASPHALT/COLD PROCESS METHOD



NOTES:

1. This detail is appropriate for hot-asphalt, torch-welded, and cold process applications. For self-adhered systems, adapt modifications addressed in Section 5 of Construction Details.
2. Flintlastic modified bitumen flashing collar approximately 40"x40".
3. CertainTeed recommends the use of a minimum 30" square, 4 lb lead or 16oz. soft copper installed between the flashing collar and field membrane and requires its use in all roof membrane warranty roof systems.

**CertainTeed**  
SAINT-GOBAIN

---

**Commercial Roofing**

ISSUE DATE	REVISION	DRAWING NUMBER
8/19/2013	B	<b>CT-02</b>
SCALE		
Not To Scale		Sheet 1 of 1

**Drain Detail**