

# FEATURES

## OPTICAL SYSTEM

- Internal housing components painted matte black. Lamp snoot minimizes stray light in housing.
- Self-flanged semi-specular, matte-diffuse or specular cone with flange that matches cone finish.
- Optical system retained by self-aligning, torsion support springs.
- Accommodates up to two lenses, filters or louvers.
- Softening lens standard.

## MECHANICAL SYSTEM

- Black painted housing features tool-less top access and accommodates a maximum 1-1/2" ceiling thickness.
- Re-lamp capability from above or below ceiling.
- 16-gauge galvanized steel mounting bars with continuous 4" vertical adjustment are shipped pre-installed. Post installation adjustment possible without the use of tools above or below ceiling.
- Secondary housing adjustment system for precise, final flange to ceiling alignment.
- Galvanized steel junction box with hinged access covers and spring latch. Four combination 1/2"-3/4" knockouts for straight-through conduit runs. Capacity: 8 (4 in, 4 out) No. 12 AWG conductors, rated for 90°C.

## ELECTRICAL SYSTEM

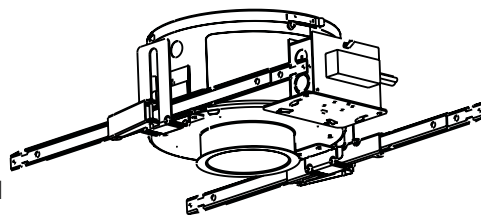
- Tool-less access door provides access to junction box through the aperture.
- Replaceable socket assembly. MR16 socket assembly standard.
- 12-volt electronic transformer is replaceable without the use of tools.
- Thermally-activated insulation detector is replaceable without the use of tools.

## LISTING

- Fixtures are UL listed for thru-branch wiring, Non-IC recessed mounting and damp locations. Listed and labeled to comply with Canadian Standards.

Type

Catalog number

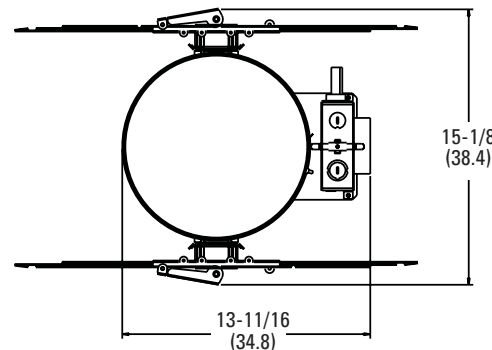
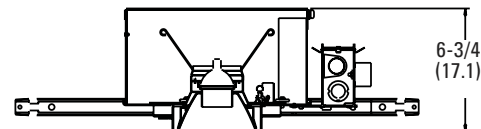


## Low Voltage Downlights

# 4" DLV

## Downlight

Open Cone  
75 Watt Max



All dimensions are inches (centimeters)

Aperture: 4-5/16 (11.0)  
Ceiling opening: 4-7/8 (12.4)  
Overlap trim: 5-1/2 (14.0)

# ORDERING INFORMATION

Example: **DLV DWN MR16 4AC 120**

Choose the boldface catalog nomenclature that best suits your needs and write it on the appropriate line. Order accessories as separate catalog numbers (shipped separately).

DLV	DWN								
Series	Lamp designation	Aperture/Trim color		Finish	Voltage	Options			
DLV	<b>MR16</b> MR16 capability (standard)	<b>4BC<sup>2</sup></b> Black	<b>4AC</b> Clear	<b>(blank)</b> Semi-specular	<b>120</b>	<b>TRW</b> White painted flange. (Standard with WC, MB, and WB)			
	<b>MR11</b> MR11 capability	<b>4PC</b> Pewter	<b>4UBC</b> Umber	<b>LD</b> Matte-diffuse	<b>277</b>	<b>TRBL</b> Black painted flange			
	<b>ALR12</b> ALR12 capability	<b>4WTC</b> Wheat	<b>4GC</b> Gold	<b>LS</b> Specular	<b>347</b>	<b>LRC<sup>3</sup></b> Provides compatibility with Lithonia Reloc System. Lithonia Reloc System can be installed less this option with connectors provided by others. Access above ceiling required			
	<b>ALR18</b> ALR18 capability	<b>4WC<sup>2</sup></b> White painted	<b>4MB<sup>2</sup></b> Contoured black baffle			<b>SF</b> Single Fuse			
	<b>AR70<sup>1</sup></b> AR70 capability	<b>4WB<sup>2</sup></b> Contoured white baffle							
<b>Configuration</b>				<b>Accessories</b>					
DWN				<ul style="list-style-type: none"> <li>• For lens accessories, refer to Technical Bulletins tab.</li> <li>• For lamp options, refer to Technical Bulletins tab.</li> </ul>					

### NOTES

- 1 Clear safety lens standard with AR70 lamp designation.
- 2 Not available with finishes.
- 3 For compatible Reloc systems, refer to Technical Bulletins tab.

# 4" DLV Downlight

Distribution curve	Distribution data	Output data	Coefficient of utilization	Single luminaire data 30" above floor										
<b>DLV DWN MR16 4AC, Q50MR16/C/NSP15 (EXT) lamp, 0.3 s/mh, 880 rated lumens, Test no. 2198043004</b>														
	From 0°	cp. Lumens	Zone Lumens %lamp	pf pc pw	80% 50% 30%	20% 70% 50% 30%	50% 50% 30%	50% beam angle 15.6°	10% beam angle 35.1°					
	0°	5263	0°-30° 622 70.7	1	84 82	82 81	79 78	Mount height	Initial fc at beam center	fc at beam edge	Beam diameter	fc at beam edge	Beam diameter	
	5°	3805	0°-40° 630 71.6	2	80 78	79 77	76 75	8'	174.0	1.5'	87.0	3.5'	17.4	
	15°	936	0°-60° 637 72.4	3	77 74	76 73	74 72	10'	93.6	2.1'	46.8	4.8'	9.4	
	25°	114	0°-90° 654 74.3	4	74 71	73 71	72 70	12'	58.3	2.6'	29.2	6.0'	5.8	
	35°	12	90°-180° 0 0.0	5	72 69	71 68	70 68	14'	39.8	3.2'	19.9	7.3'	4.0	
	45°	3	0°-180° 654 74.3*	6	70 67	69 66	68 66	16'	28.9	3.7'	14.4	8.6'	2.9	
	55°	4	* Efficiency	7	68 65	67 65	67 64							
	65°	8		8	66 63	66 63	65 63							
	75°	5		9	65 62	64 62	64 61							
	85°	3		10	63 61	63 60	63 60							
90°	0													

Distribution curve	Distribution data	Output data	Coefficient of utilization	Single luminaire data 30" above floor										
<b>DLV DWN MR16 4AC, 65MR16Q/10/NSP (FPA) lamp, 0.3 s/mh, 1100 rated lumens, Test no. 2198040602</b>														
	From 0°	cp. Lumens	Zone Lumens %lamp	pf pc pw	80% 50% 30%	20% 70% 50% 30%	50% 50% 30%	50% beam angle 15.3°	10% beam angle 34.2°					
	0°	7027	0°-30° 806 73.2	1	84 83	83 82	80 79	Mount height	Initial fc at beam center	fc at beam edge	Beam diameter	fc at beam edge	Beam diameter	
	5°	5017	0°-40° 817 74.2	2	81 79	80 78	77 76	8'	232.3	1.5'	116.1	3.4'	23.2	
	15°	1182	0°-60° 817 74.2	3	78 76	77 75	75 74	10'	124.9	2.0'	62.5	4.6'	12.5	
	25°	126	0°-90° 817 74.2	4	76 73	75 73	73 72	12'	77.9	2.6'	38.9	5.8'	7.8	
	35°	15	90°-180° 0 0.0	5	73 71	73 70	72 70	14'	53.1	3.1'	26.6	7.1'	5.3	
	45°	0	0°-180° 817 74.2*	6	72 69	71 69	70 68	16'	38.6	3.6'	19.3	8.3'	3.9	
	55°	0	* Efficiency	7	70 67	69 67	69 66							
	65°	0		8	68 66	68 65	67 65							
	75°	0		9	67 64	66 64	66 64							
	85°	0		10	65 63	65 63	65 62							
90°	0													

Distribution curve	Distribution data	Output data	Coefficient of utilization	Single luminaire data 30" above floor										
<b>DLV DWN MR16 4AC, 50MR16Q/40/FL (EXN) lamp, 0.5 s/mh, 880 rated lumens, Test no. 2198040605</b>														
	From 0°	cp. Lumens	Zone Lumens %lamp	pf pc pw	80% 50% 30%	20% 70% 50% 30%	50% 50% 30%	50% beam angle 29.5°	10% beam angle 52.1°					
	0°	1773	0°-30° 548 62.3	1	74 73	73 71	70 69	Mount height	Initial fc at beam center	fc at beam edge	Beam diameter	fc at beam edge	Beam diameter	
	5°	1646	0°-40° 577 65.6	2	70 68	69 67	67 65	8'	58.6	2.9'	29.3	5.4'	5.9	
	15°	962	0°-60° 578 65.7	3	67 64	66 64	64 62	10'	31.5	4.0'	15.8	7.3'	3.2	
	25°	291	0°-90° 578 65.7	4	64 61	63 61	62 60	12'	19.6	5.0'	9.8	9.3'	2.0	
	35°	43	90°-180° 0 0.0	5	61 58	61 58	60 57	14'	13.4	6.1'	6.7	11.2'	1.3	
	45°	1	0°-180° 578 65.7*	6	59 56	58 56	57 55	16'	9.7	7.1'	4.9	13.2'	1.0	
	55°	0	* Efficiency	7	57 54	56 53	55 53							
	65°	0		8	54 52	54 51	54 51							
	75°	0		9	53 50	52 49	52 49							
	85°	0		10	51 48	51 48	50 48							
90°	0													

Distribution curve	Distribution data	Output data	Coefficient of utilization	Single luminaire data 30" above floor										
<b>DLV DWN MR16 4AC, Q71MR16/C/FL40 (EYC) lamp, 0.5 s/mh, 1100 rated lumens, Test no. 2198043005</b>														
	From 0°	cp. Lumens	Zone Lumens %lamp	pf pc pw	80% 50% 30%	20% 70% 50% 30%	50% 50% 30%	50% beam angle 28.6°	10% beam angle 52.9°					
	0°	2280	0°-30° 696 63.3	1	76 75	74 73	72 71	Mount height	Initial fc at beam center	fc at beam edge	Beam diameter	fc at beam edge	Beam diameter	
	5°	2027	0°-40° 738 67.1	2	72 70	71 69	69 67	8'	75.4	2.8'	37.7	5.5'	7.5	
	15°	1190	0°-60° 741 67.3	3	68 66	68 65	66 64	10'	40.5	3.8'	20.3	7.5'	4.1	
	25°	405	0°-90° 744 67.6	4	65 62	65 62	63 61	12'	25.3	4.8'	12.6	9.5'	2.5	
	35°	62	90°-180° 0 0.0	5	63 59	62 59	61 58	14'	17.2	5.9'	8.6	11.4'	1.7	
	45°	0	0°-180° 744 67.6*	6	60 57	59 57	59 56	16'	12.5	6.9'	6.3	13.4'	1.3	
	55°	1	* Efficiency	7	58 54	57 54	56 54							
	65°	1		8	55 52	55 52	54 52							
	75°	1		9	53 50	53 50	53 50							
	85°	1		10	52 48	51 48	51 48							
90°	0													

NOTES:  
 1 Tested to current IES and NEMA standards under stabilized laboratory conditions. Various operating factors can cause differences between laboratory data and actual field measurements. Dimensions and specifications are based on the most current available data and are subject to change without notice.

ENERGY (Calculated in accordance with NEMA standard LE-5A)					
LER.DOH	Annual* Energy Cost	Lamps	Lamp Lumens	Ballast Factor	Input Watts
5	\$18.35	(1) 50W MR16	880	n/a	50
6	\$20.88	(1) 65W MR16	1100	n/a	71
7	\$20.76	(1) 50W MR16	880	n/a	50
6	\$22.92	(1) 71W MR16	1100	n/a	71

\*Comparative yearly lighting energy cost per 1000 lumens