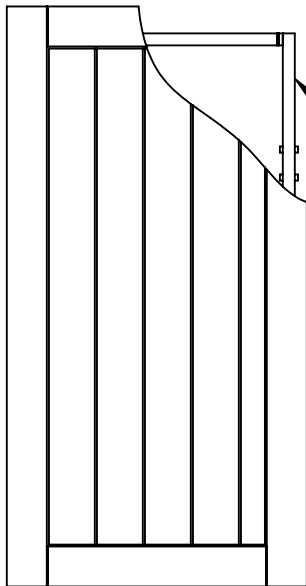
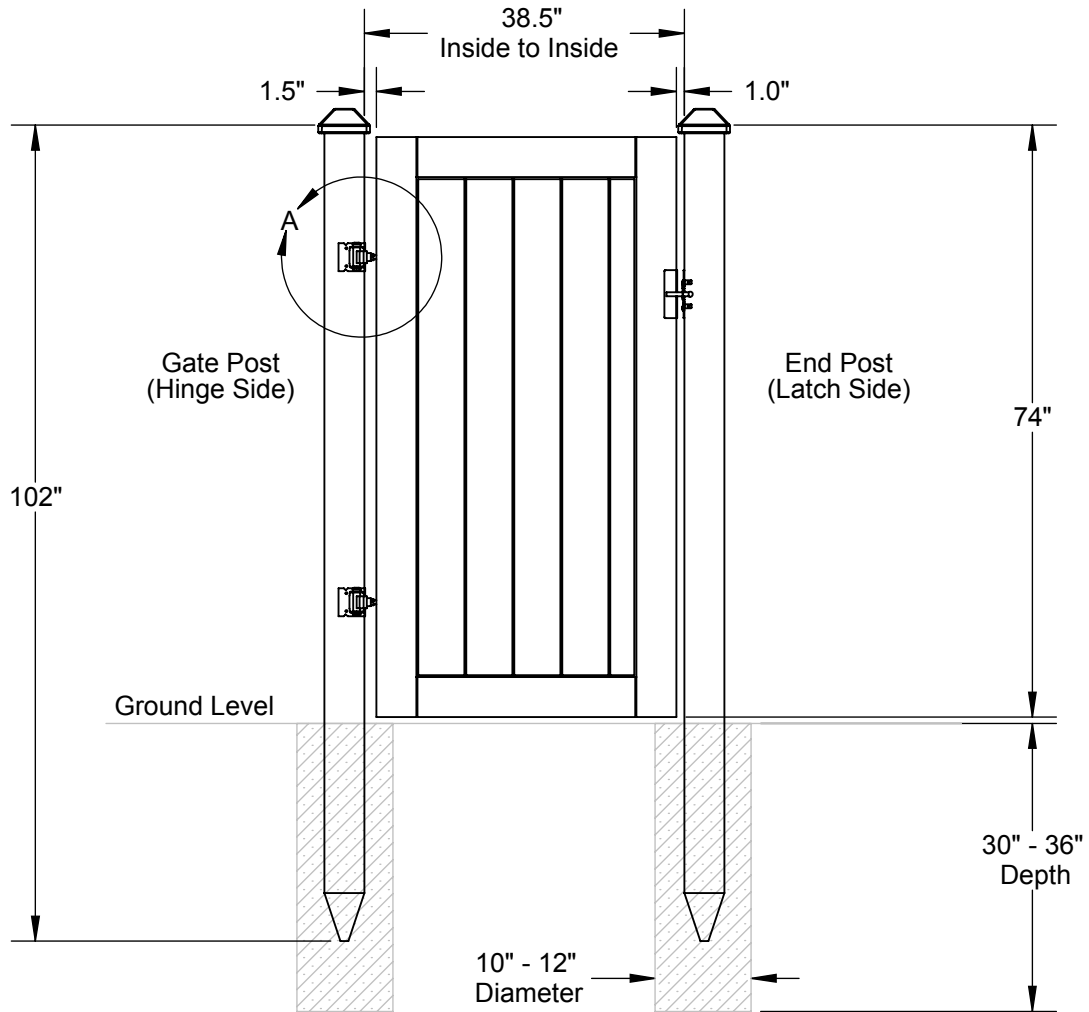
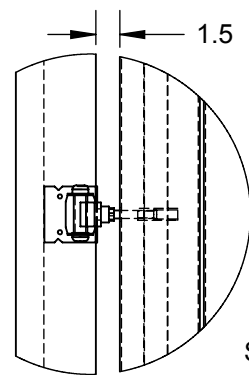


3'W X 6'H Gate




Gate is reinforced with a 1.5" galvanized steel box tube

- Actual Gate Dimensions 36"W X 70"H X 2"
- Gate Weight - 55 lbs.
- Tolerances are $\pm .5"$



DETAIL A
SCALE 1 : 12

Gate hinge threads into the upper and lower inserts in the gate metal frame leaving about 1.5" from the edge of the gate to the post.

<p>3' Ashland Gate</p>	<p>This drawing may not be altered or reproduced without the permission of SimTek Fence</p>		 <p>SimTek FENCE</p> <p>www.simtekfence.com</p>
<p>Date: Nov. 2016</p>	<p>Scale: not to scale</p>	<p>REV: JC</p>	
<p>Sheet 1 of 1</p>	<p>U.S. Patents: 7,478,797 / 7,635,114 Foreign Patents Pending</p>		